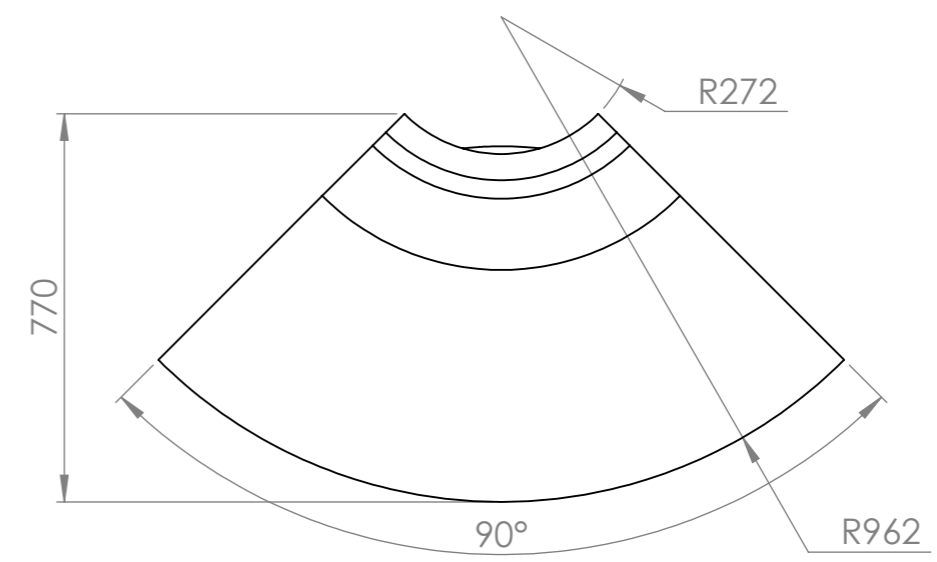
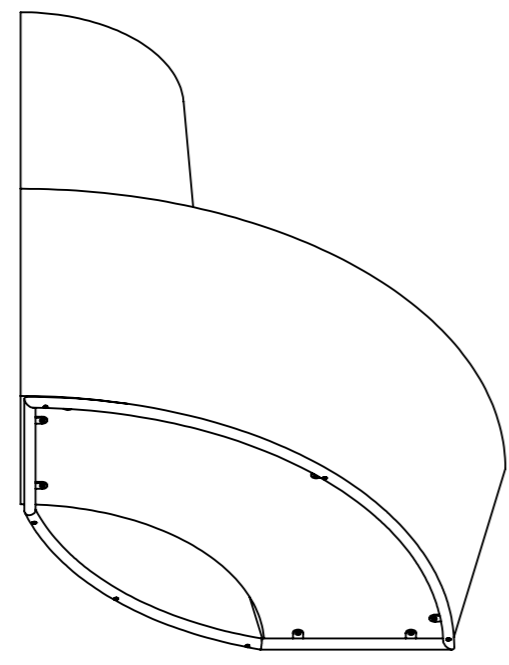
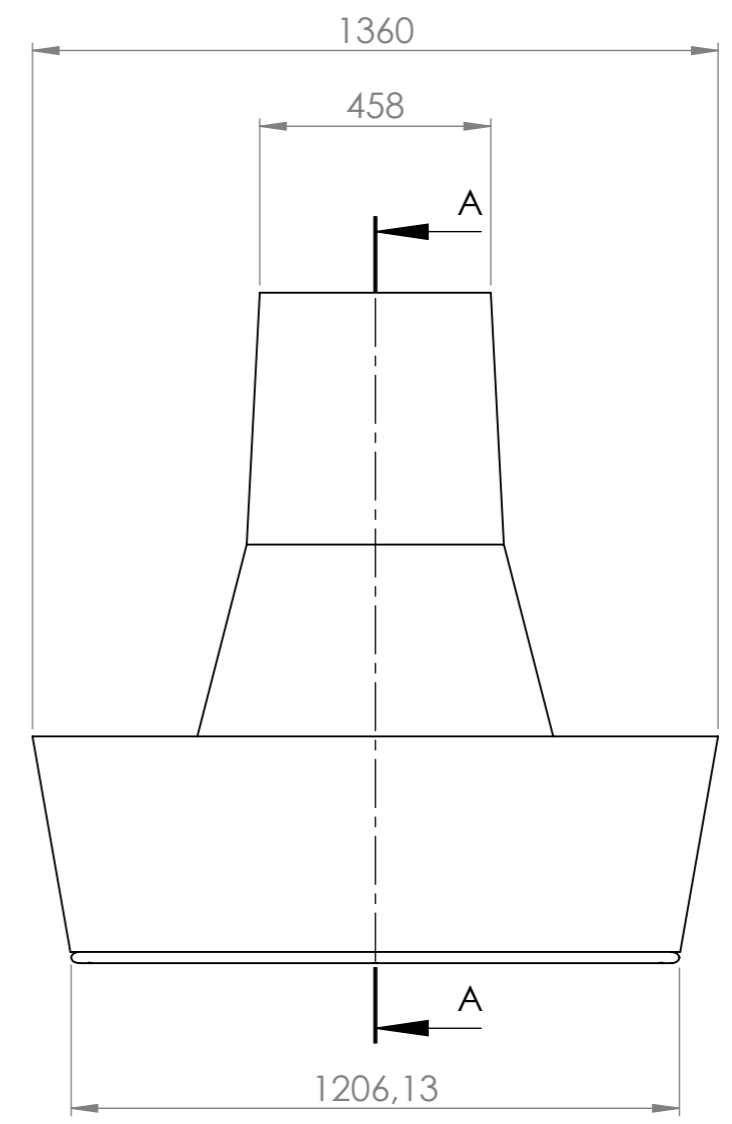
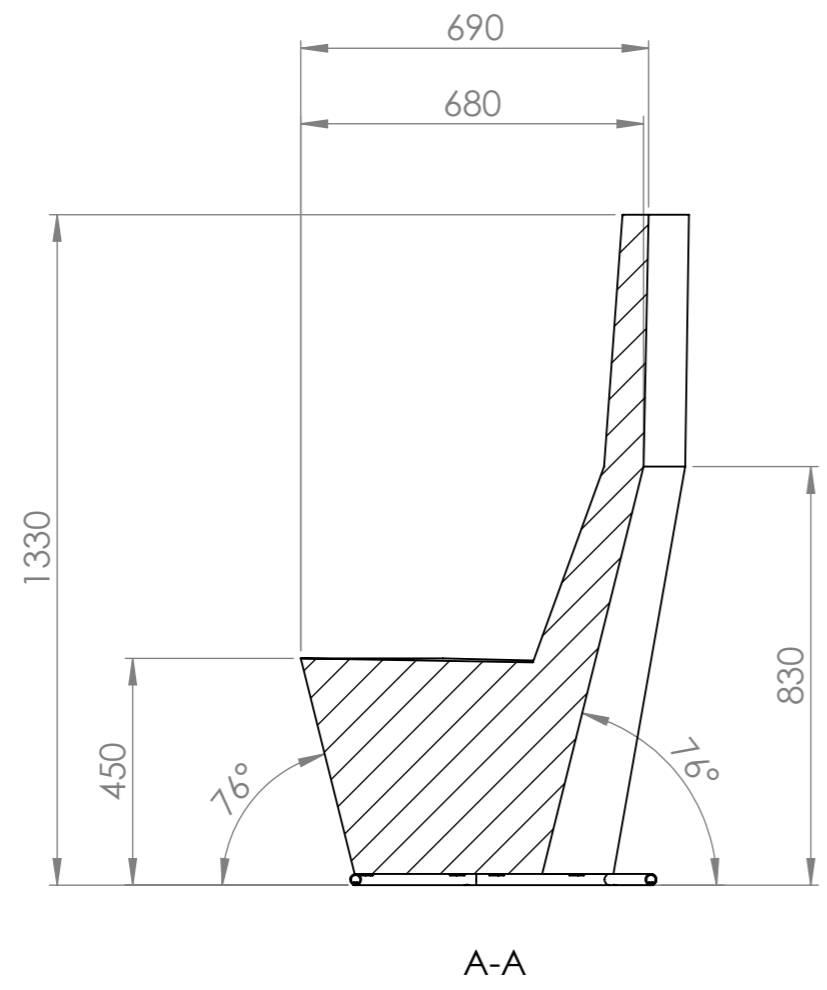



1 2 3 4 5 6 7 8

A
B
C
D
E
F

A
B
C
D
E
F



This document must not be copied without our written permission, and the contents thereof must not be imparted to a third party nor be used for any unauthorized purpose. Contravention will be prosecuted.

Unless other tolerances is specified: SS ISO 2768-1 class medium Chromium III is used for chromium plated metal parts. Chromium IV is not allowed in any form. All wooden parts are made of FSC-certified materials....					
Drawn J.S.		Approved	Scale 1:15	Replace A3	Replaced by 2015-11-04
LAMMHULTS			Area Radius High Open turn 90° Illustration top assy		size 08035
				Drawing no. 08035	Date 2015-11-04
				Rev. -	

No	Revision Note	Date	Sign
1			
2			
3			
4			

1 2 3 4 5 6 7 8