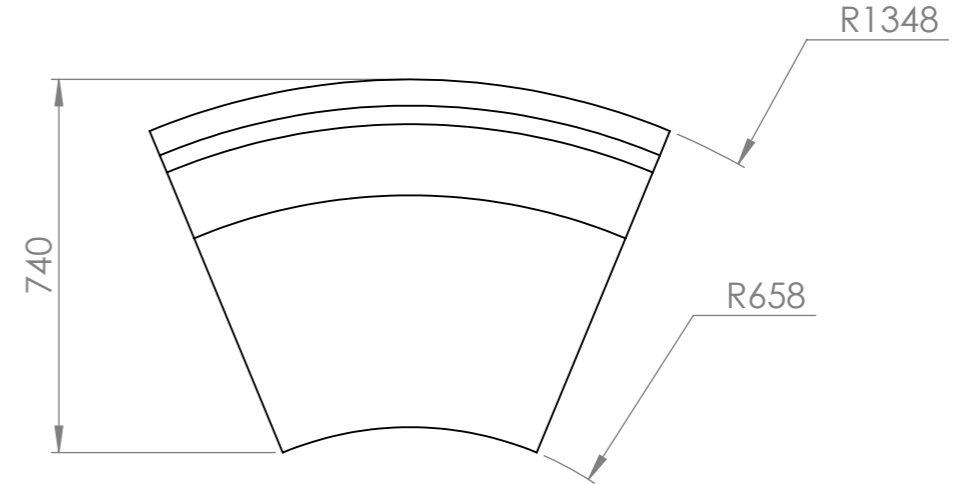
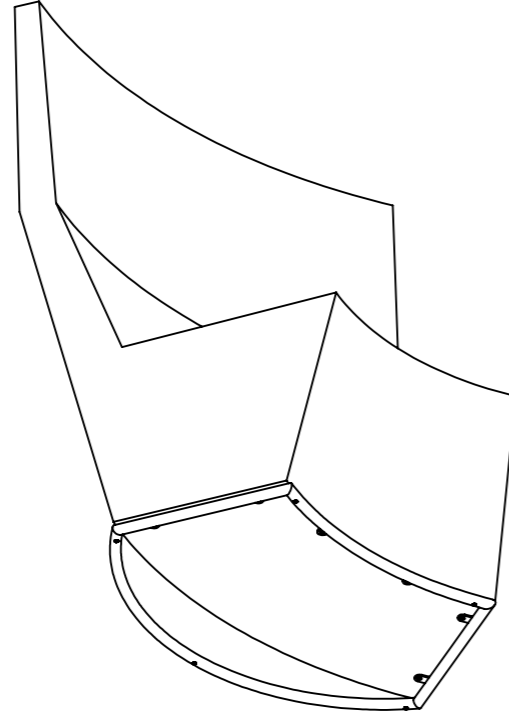
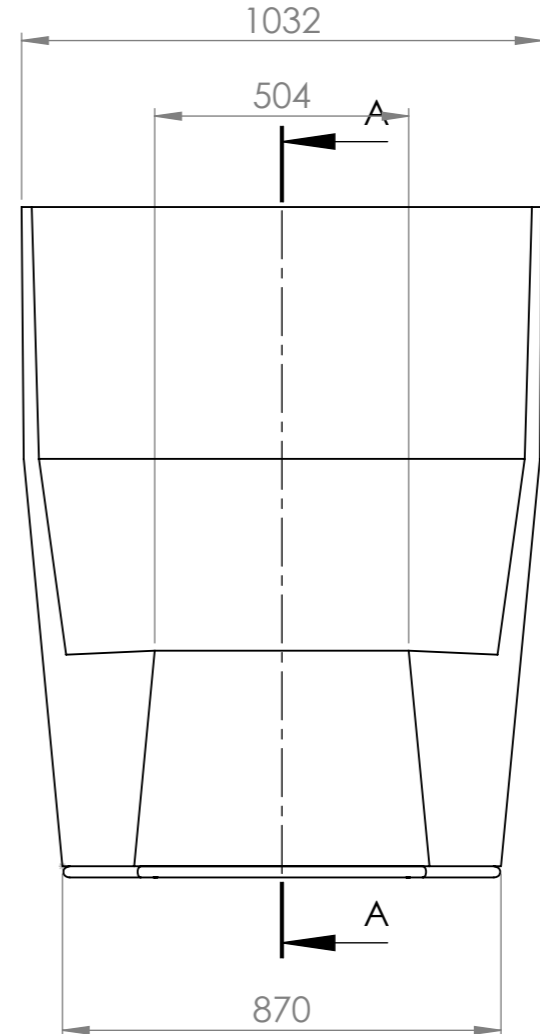
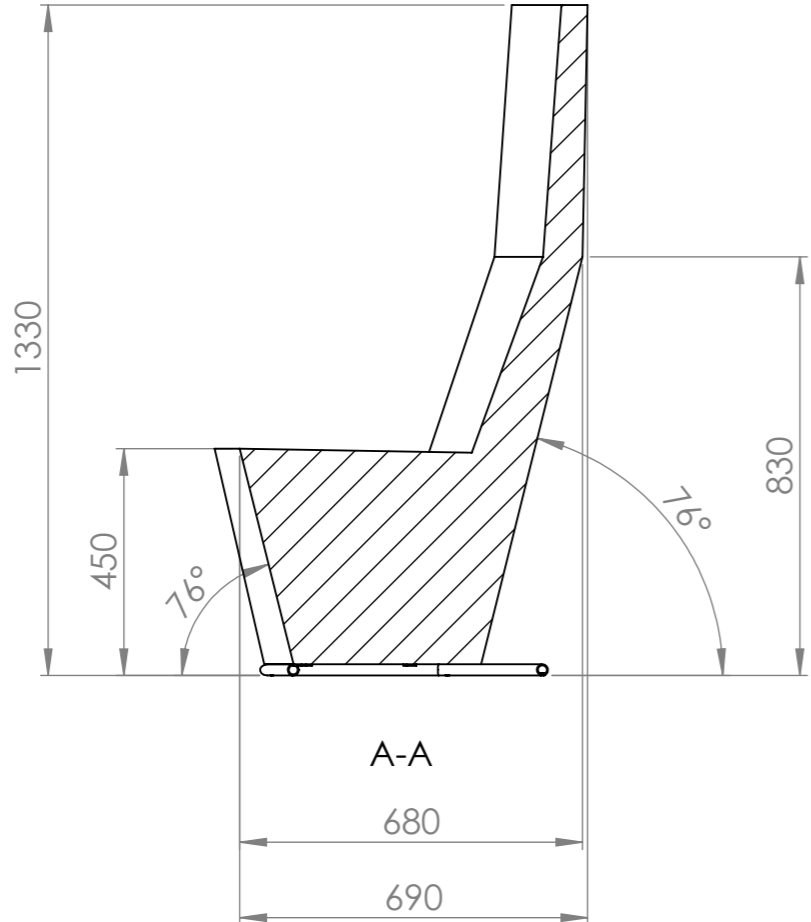


1 2 3 4 5 6 7 8

A
B
C
D
E
F

A
B
C
D
E
F



Unless other tolerances is specified: SS ISO 2768-1 class medium
Chromium III is used for chromium plated metal parts. Chromium IV is not allowed in any form.
All wooden parts are made of FSC-certified materials...

Drawn J.S.	Approved 	Scale 1:15	Replace	Replaced by
LAMMHULTS Area Radius High Closing turn 45°		size A3	Date 2015-11-04	
		Drawing no. 08037	Rev. -	

This document must not be copied without our written permission, and the contents thereof must not be imparted to a third party nor be used for any unauthorized purpose. Contravention will be prosecuted.

No	Revision Note	Date	Sign
1			
2			
3			
4			

1 2 3 4 5 6 7 8