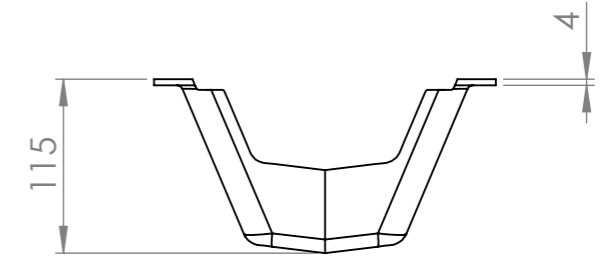
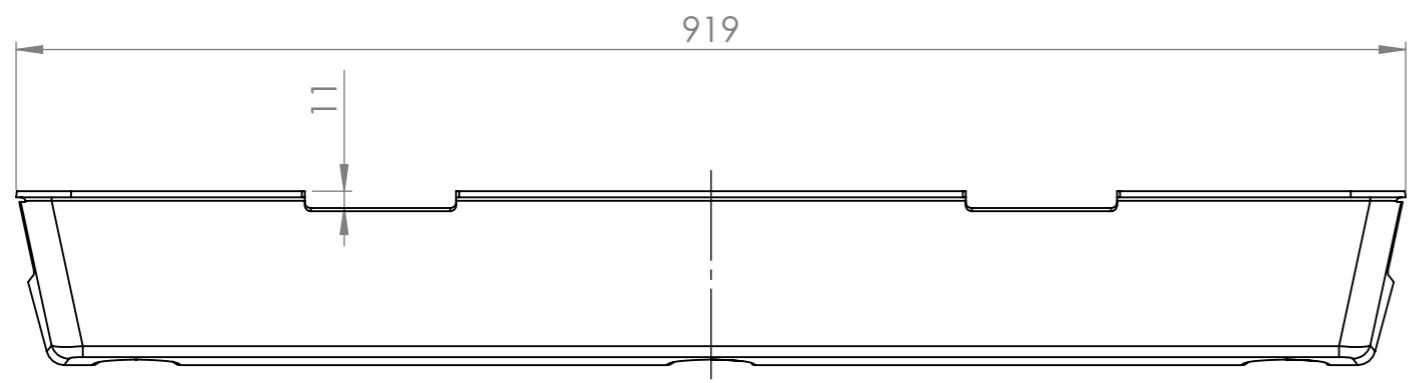
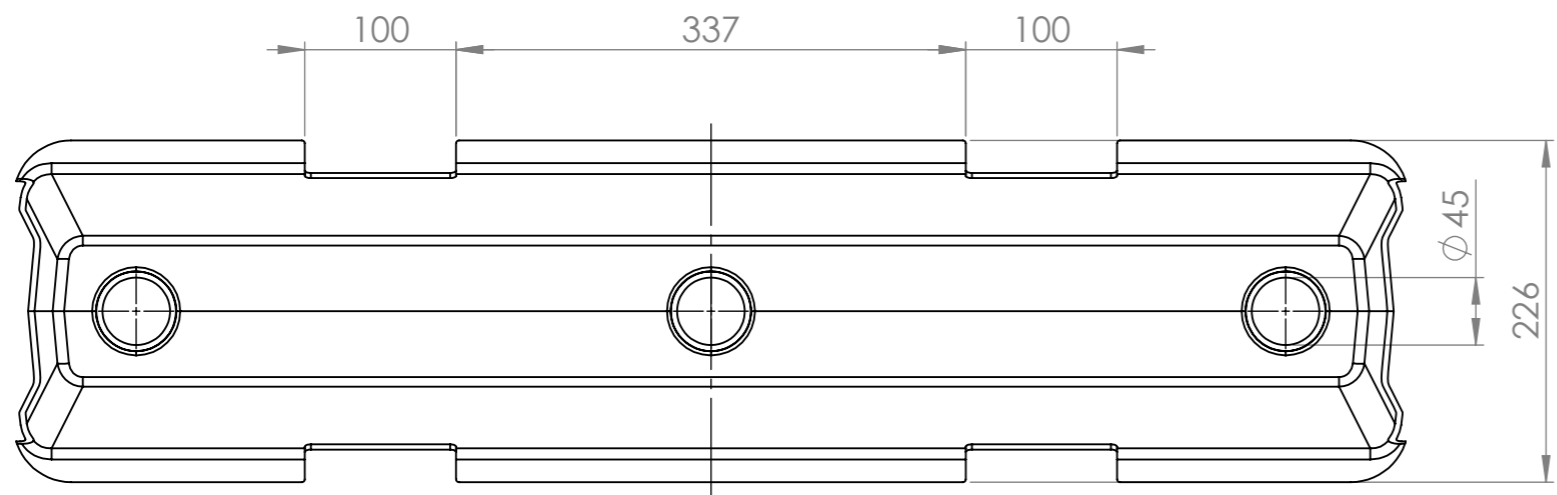


1 2 3 4 5 6 7 8

A

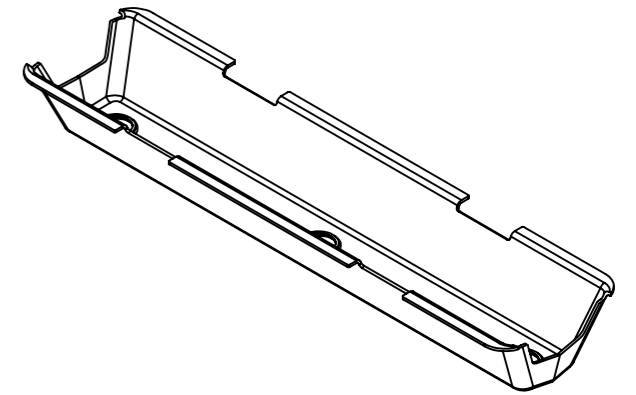


B



C

D



E

Färg: Antracit & Off White

1	1	Filt	1000g Polyesterfiber		
Det.nr	Pcs.	Material	Quality of mat.	Dim.	Note

Unless other tolerances is specified: SS_ISO 2768-1 class medium
 Chromium III is used for chromium plated metal parts. Chromium IV is not allowed in any form.
 All wooden parts are made of FSC-certified materials....

Drawn Ni.He.	Approved 	Scale 1:5	Replace size A3	Replaced by Date 2016-09-21
LAMMHULTS Attach Table Power Port Accessories Large Cable Holder			Drawing no. 08724	Rev. -1

F

1	Removed push buttons.	2018-08-31	Vi.Ta.
No	Revision Note	Date	Sign

1 2 3 4 5 6 7 8

This document must not be copied without our written permission, and the contents thereof must not be imparted to a third party nor be used for any unauthorized purpose. Contravention will be prosecuted.