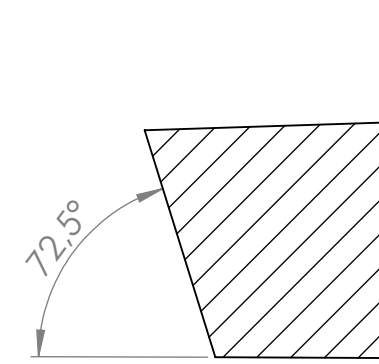
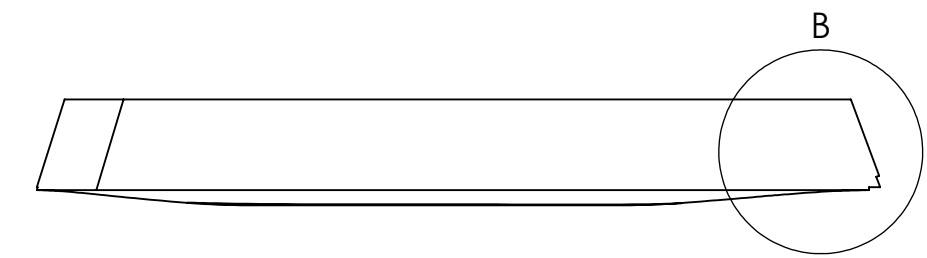
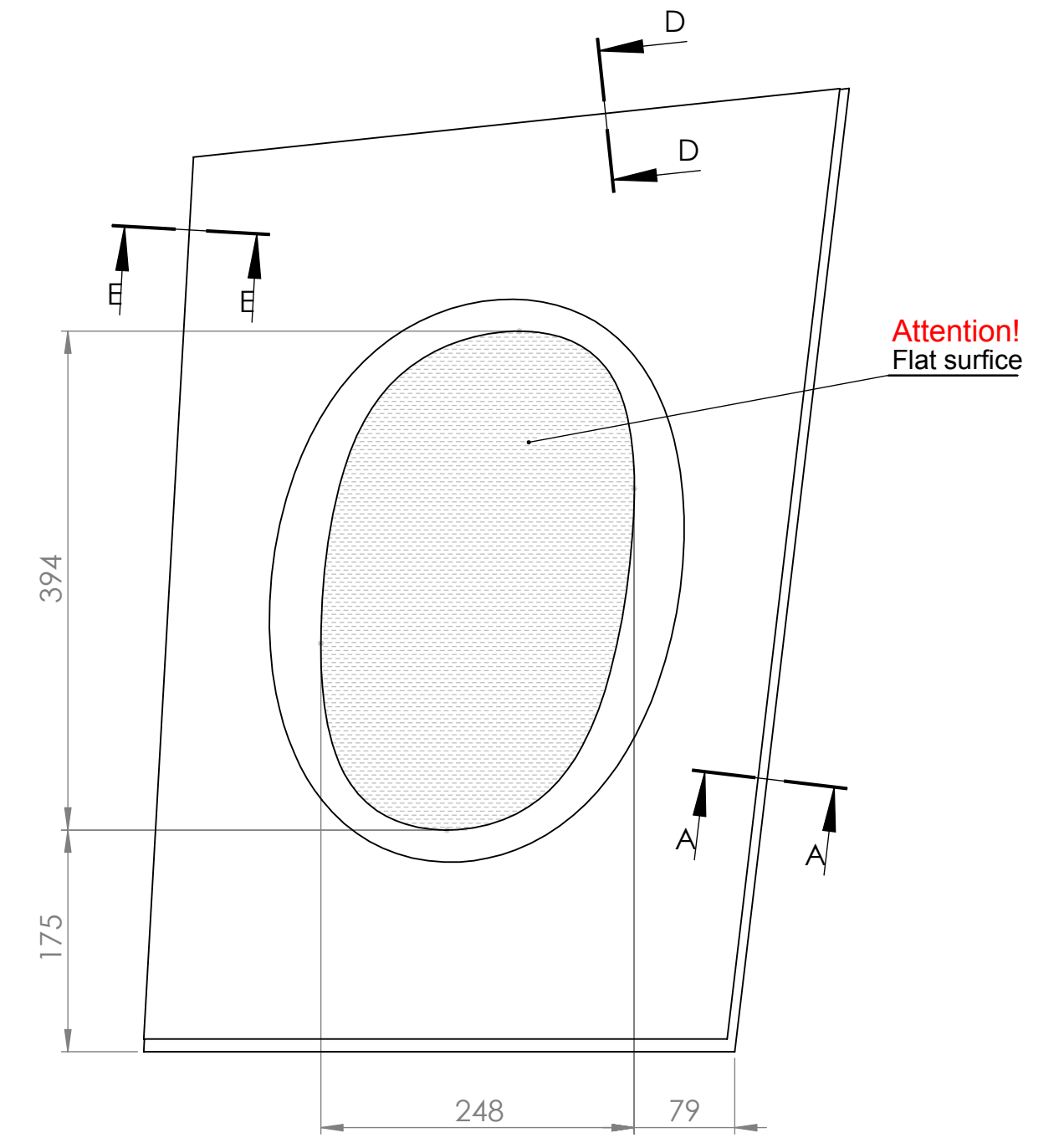
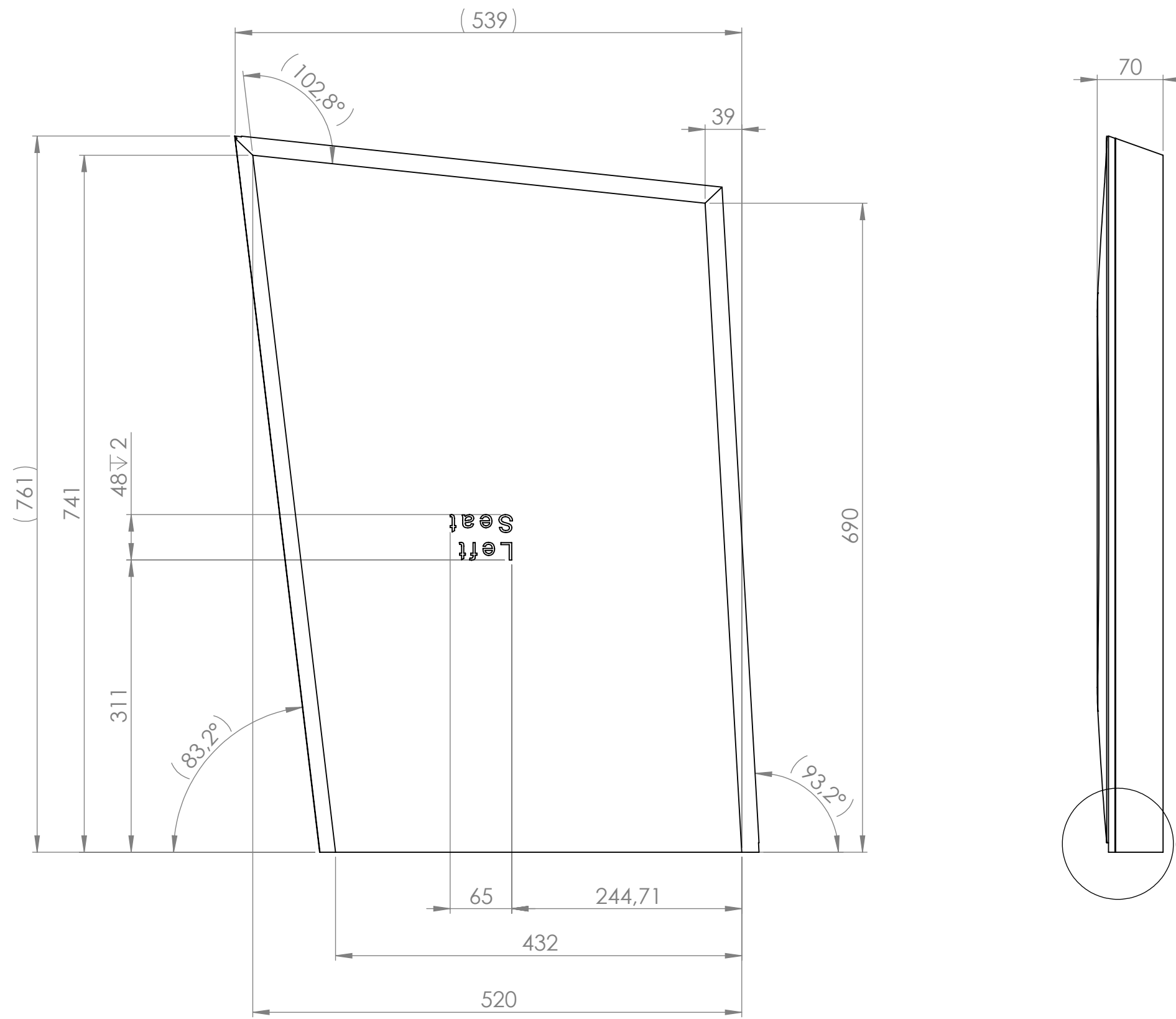
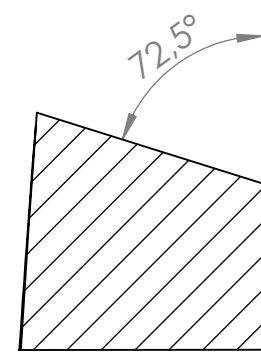


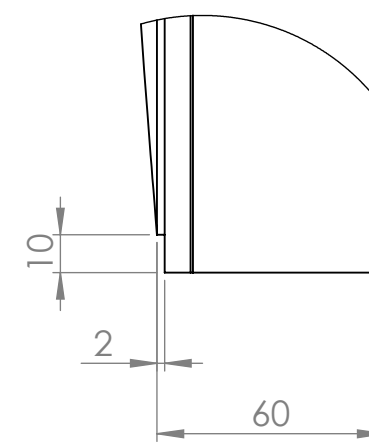
This document must not be copied without our written permission, and the contents thereof must not be imparted to a third party nor be used for any unauthorized purpose. Contravention will be prosecuted.



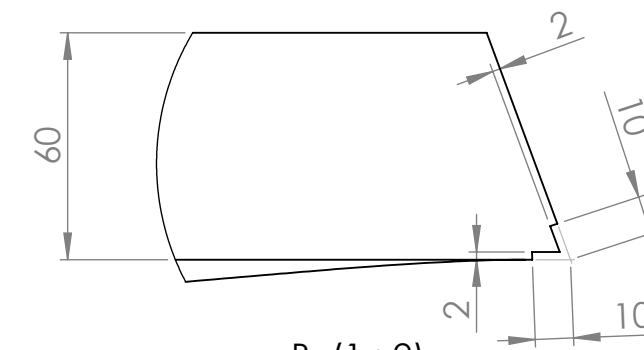
E-E (1 : 2)



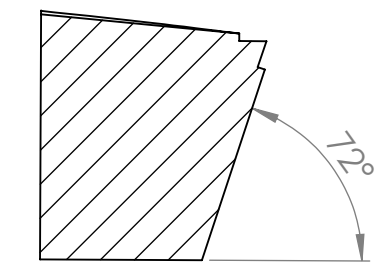
D-D (1 : 2)



C (1 : 2)



B (1 : 2)



A-A (1 : 2)

Volume = 22678.34 cubic centimeters

1	1	Molded foam	Polyeter	CMHR45200	70mm	
Det.nr	Pcs.	Initial Material	Material	Quality of mat.	Dim.	Note

Unless other tolerances is specified: SS_ISO 2768-1 class medium

Drawn J.S.	Approved 	Scale 1:5	Replace	Replaced by
LAMMHULTS Area Seat Left_seat_foam			size A2	Date 09-03-09
			Drawing no. 03995	Rev. -

No	Revision Note	Date	Sign
1			
2			
3			
4			