

1

2

3

4

5

6

7

8

A

B

C

D

E

F

A

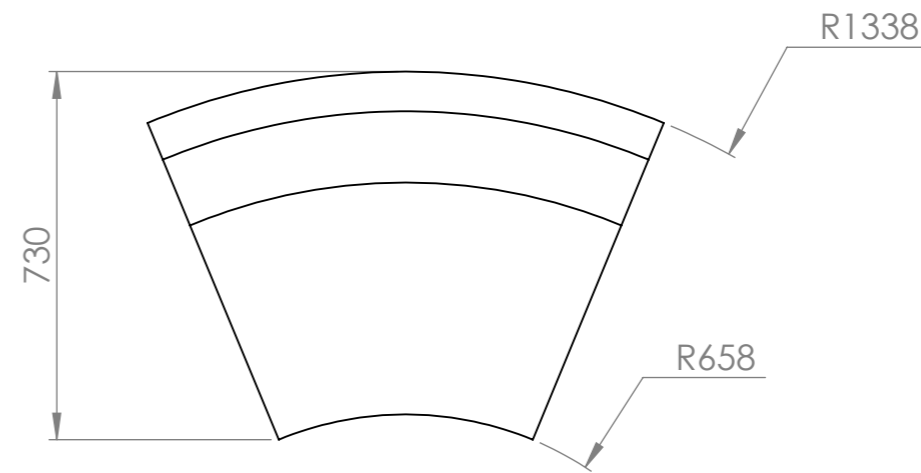
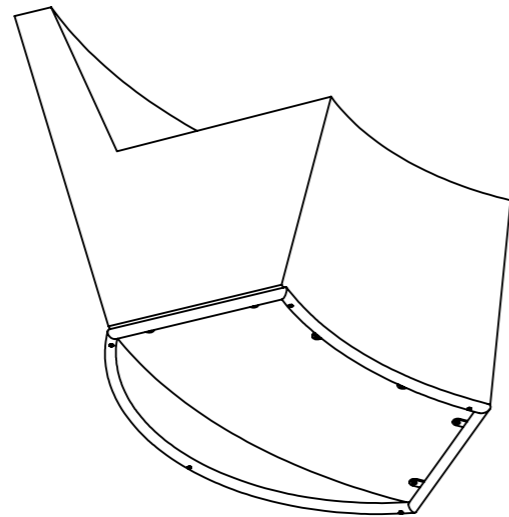
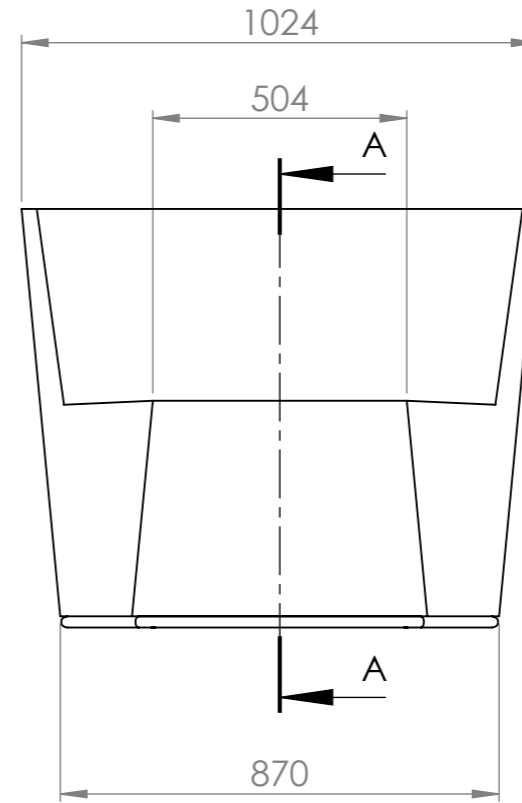
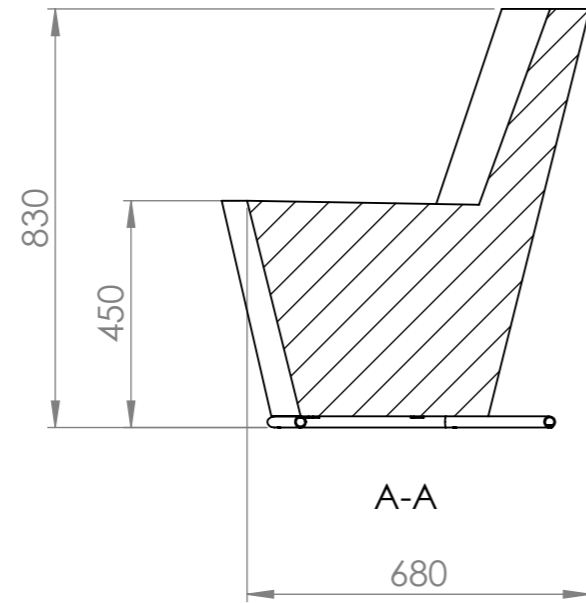
B

C

D

E

F



This document must not be copied without our written permission, and the contents thereof must not be imparted to a third party nor be used for any unauthorized purpose. Contravention will be prosecuted.

Unless other tolerances is specified: SS_ISO 2768-1 class medium
 Chromium III is used for chromium plated metal parts. Chromium IV is not allowed in any form.
 All wooden parts are made of FSC-certified materials...

Drawn J.S.	Approved 	Scale 1:15	Replace	Replaced by
LAMMHULTS Area Radius Closing turn 45°			size A3	Date 2015-11-04
			Drawing no. 08038	Rev. -

No	Revision Note	Date	Sign
1			
2			
3			
4			