

1

2

3

4

5

6

7

8

A

B

C

D

E

F

A

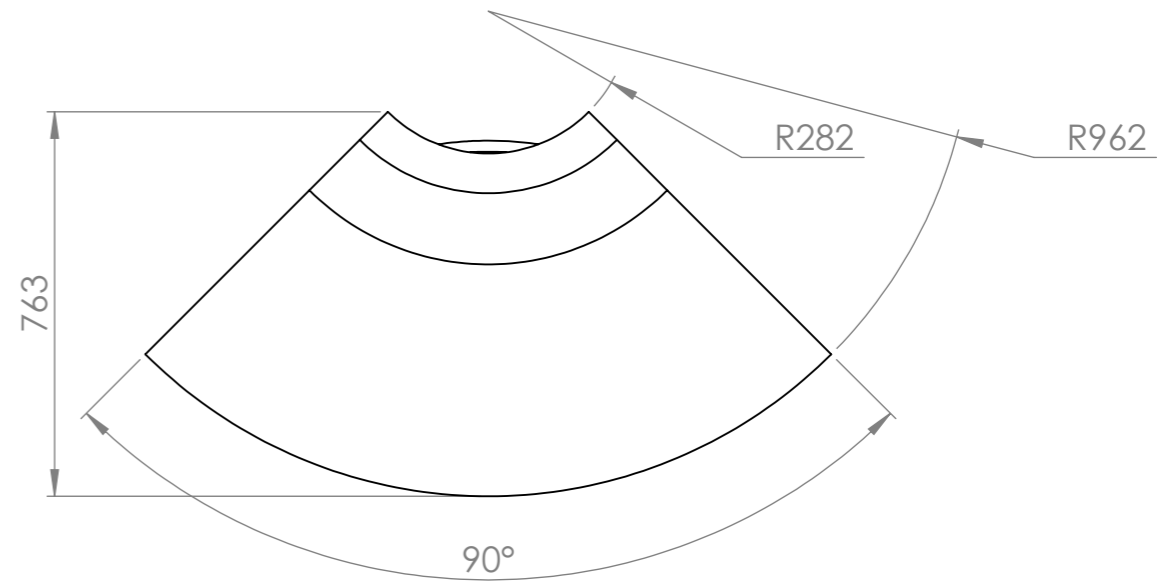
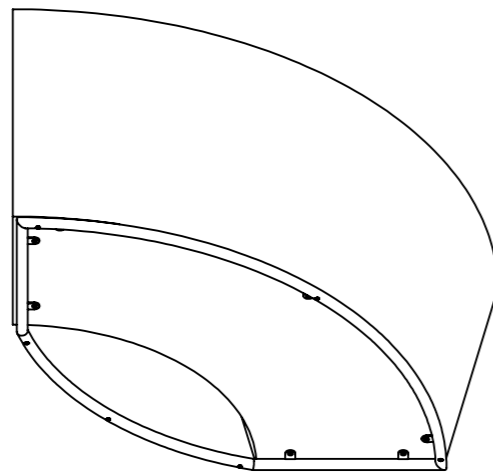
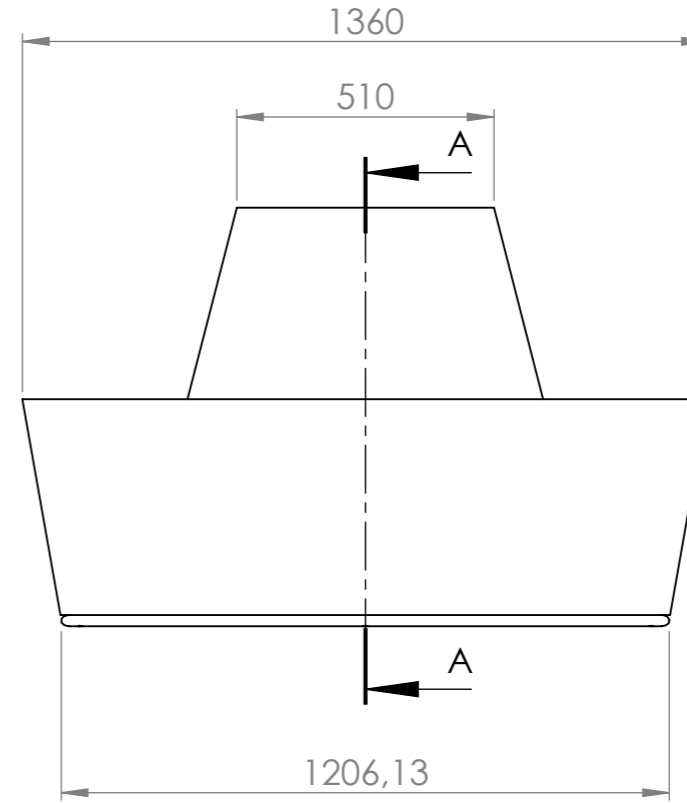
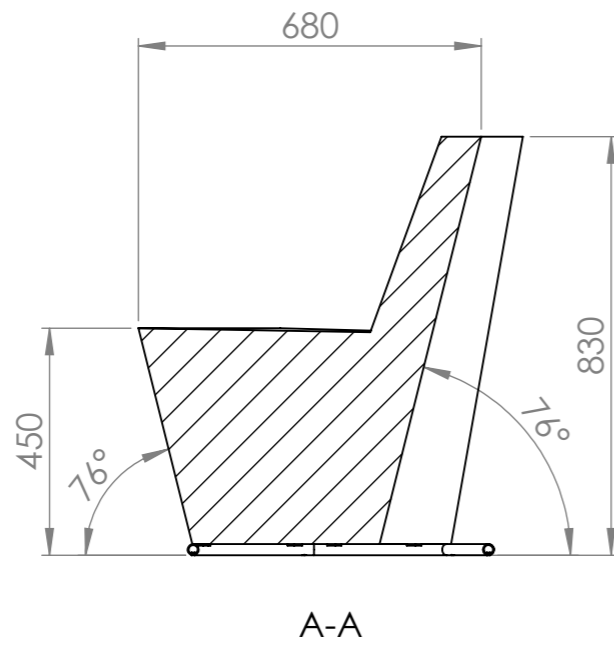
B

C

D

E

F



This document must not be copied without our written permission, and the contents thereof must not be imparted to a third party nor be used for any unauthorized purpose. Contravention will be prosecuted.

Unless other tolerances is specified: SS\_ISO 2768-1 class medium  
 Chromium III is used for chromium plated metal parts. Chromium IV is not allowed in any form.  
 All wooden parts are made of FSC-certified materials...

Drawn <b>J.S.</b>	Approved 	Scale <b>1:15</b>	Replace	Replaced by
<b>LAMMHULTS</b> Area Radius Open turn 90° Illustration top assy			size <b>A3</b>	Date <b>2015-11-04</b>
			Drawing no. <b>08036</b>	Rev. <b>-</b>

No	Revision Note	Date	Sign
1			
2			
3			
4			