



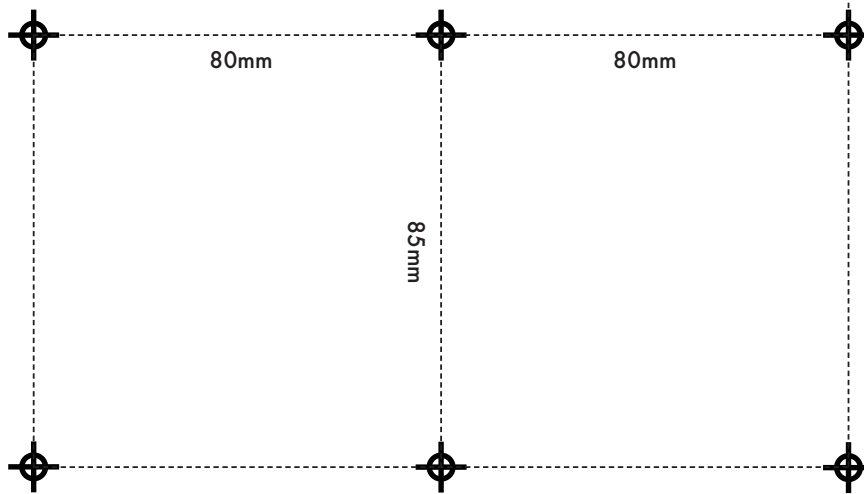
Paper edge even with table edge

Installation instruction Campus 54

1. Measure the position of the table suspension so they will be evenly distributed on the table.
2. Place the paper on the back of the table top with the indicated edge facing the edge of the desk.
3. Mark the 6 hole with a sharp object or a pen. (It should be 20mm between the table edge and the front of the table suspension).
4. For easier installation drill 3mm holes on the marks (depth 3mm)
5. Mount the table suspension with the specified screws.

137mm

	Campus	Campus Air	Spira	Grade
Minimum CC-mått	520mm	520mm	540mm	600mm



Viket beslag passar till stolen?	Campus		Campus Air			Spira	Grade	Archal		Rio					
	Oklädd	Klädd	Oklädd	Klädd	Medstativ	Oklädd	Klädd	A-ben	Medstativ	Oklädd	Klädd	Oklädd	Klädd		
Campus 54	☒	☒	☒	☒	☒	☒	☒	#	#	*	*	#	#	#	#
Campus 56 "Grip device"	☒	☒	☒	☒	☒	☒	☒	☒	☒	#	#	#	#	#	#

☐ Works

Don't works

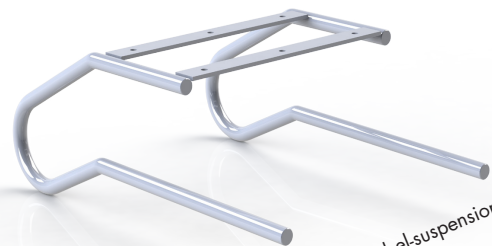
* Works on Campus/ Archal thanks to the frame

	Archal/Campus	Archal T
Campus 54	Min bredd 700mm Min Längd 1200mm *	Min bredd 800mm Min Längd 1400mm
Campus 56 "Grip device"	Min bredd 700mm Min Längd 1300mm	Min bredd 700mm Min Längd 1600mm

Restrictions apply to 4 stakes per table

NOTE! Not applicable to all chairs

* When choosing Grade-chairs minimum length 1300mm



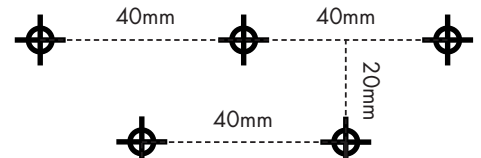
NOTE! A3 format

Make sure that the printout is consistent with the dimension shown in the installation instruction

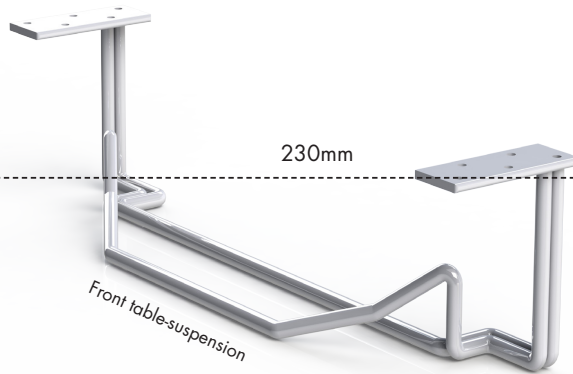
Installation instruction Campus 56 "Grip device"

1. Measure the position of the table suspension so they will be evenly distributed on the table.
2. Place the paper on the back of the table top with the indicated edge facing the edge of the table.
3. Start by placing the black arrow towards the center of where the chair suspension should be placed and mark the black marks with a sharp object or a pen.
4. Then move the paper so the gray arrow is placed where the black arrow previously was placed and mark the grey marks with a sharp object or a pen.
NOTE! CC-dimension between black and grey holes is 122mm wider than on the printout.
5. For easier installation drill 3mm holes on the marks (depth 3mm)
6. Mount the table suspension with the specified screws.

	Campus	Campus Air	Spira	Grade
Minimum CC-mått	520mm	520mm	540mm	600mm



Paper edge even with table edge



445mm (323mm on the printout!)

Viket beslag passar till stolen?	Campus					Campus Air					Spira		Grade		Archal		Rio		
	Oklädd	Klädd	Oklädd	Medstativ	Medstativ	Oklädd	Klädd	Oklädd	Medstativ	Klädd	Medstativ	Oklädd	Klädd	A-ben	Medstativ	Oklädd	Klädd	Oklädd	Klädd
Campus 54	☒	☒	☒	☒	☒	☒	☒	☒	☒	☒	☒	☒	☒	*	*	#	#	#	#
Campus 56 "Grip device"	☒	☒	☒	☒	☒	☒	☒	☒	☒	☒	☒	☒	☒	#	#	#	#	#	#

☐ Works

Don't work

* Works on Campus/ Archal thanks to the frame

	Archal/Campus	Archal T
Campus 54	Min bredd 700mm Min Längd 1200mm *	Min bredd 800mm Min Längd 1400mm
Campus 56 "Grip device"	Min bredd 700mm Min Längd 1300mm	Min bredd 700mm Min Längd 1600mm

Restrictions apply to 4 stakes per table

NOTE! Not applicable to all chairs

* When choosing Grade-chairs minimum length 1300mm

NOTE! A3 format

Make sure that the printout is consistent with the dimension shown in the installation instruction

