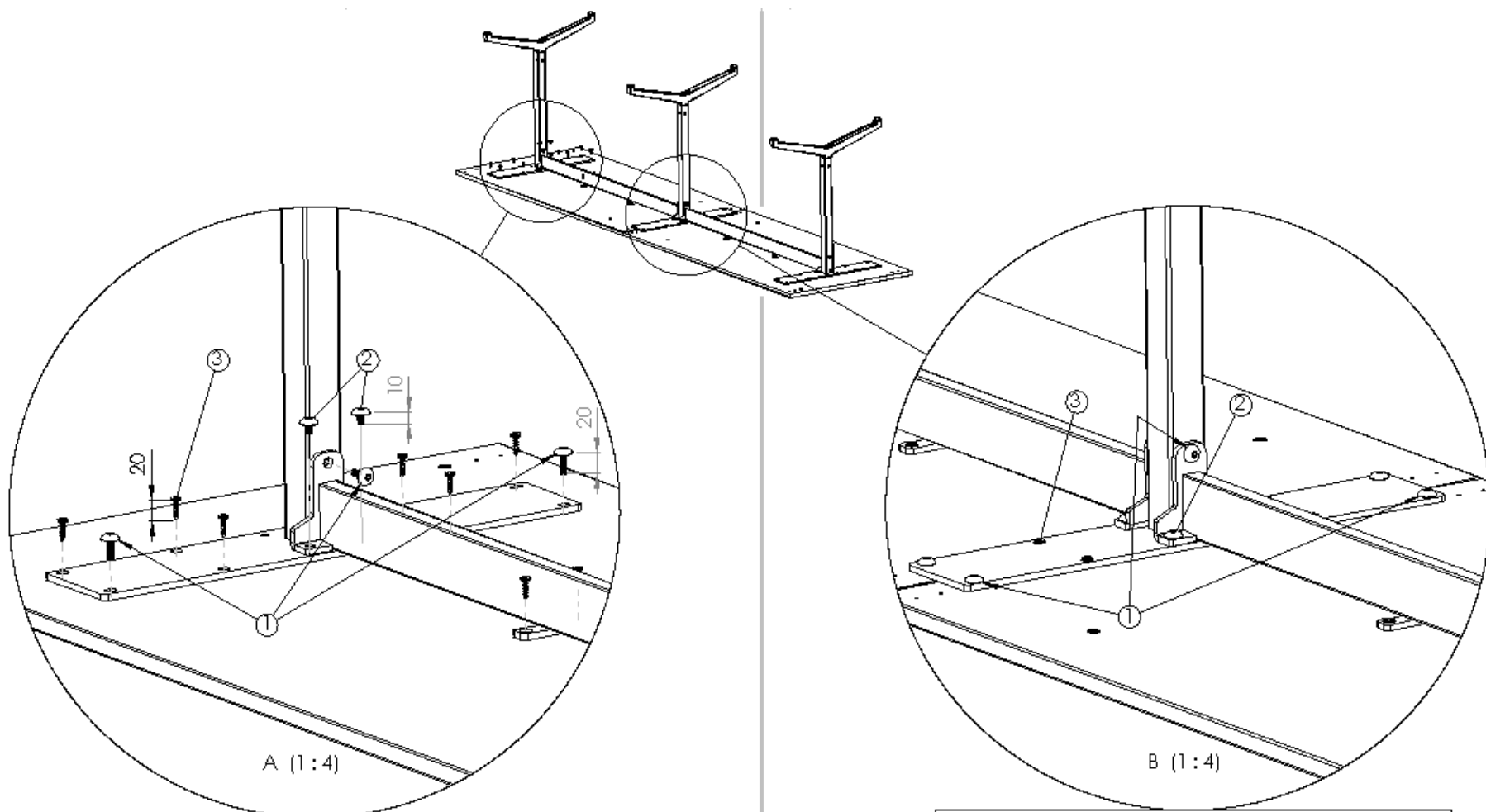


# Archal-T

## Assembly instruction



Screws to be used in this view			
No:	Pcs:	Screw type	Art. no:
1	3	M6 x 20	76054
2	2	M6 x 10	76048
3	8	Wooden screw (TKX) 5x20	75033

Screws to be used in this view			
No:	Pcs:	Screw type	Art. no:
1	6	M6 x 20	76054
2	4	M6 x 10	76048
3	6	Wooden screw (TKX) 5x20	75033

**LAMMHULTS**