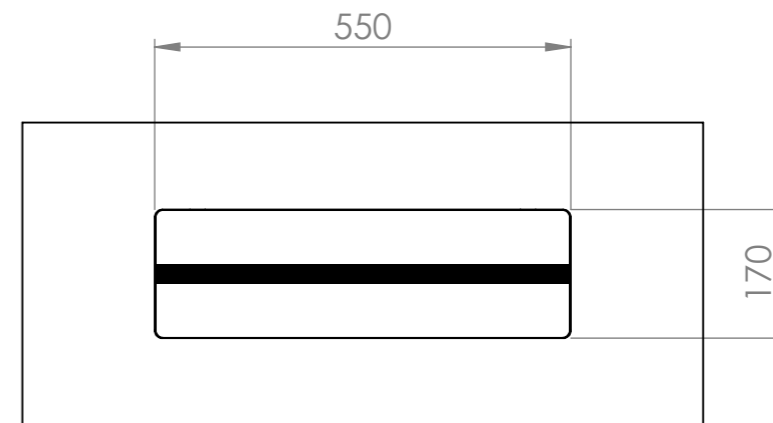
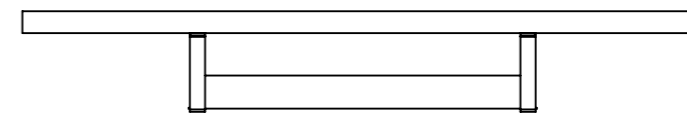
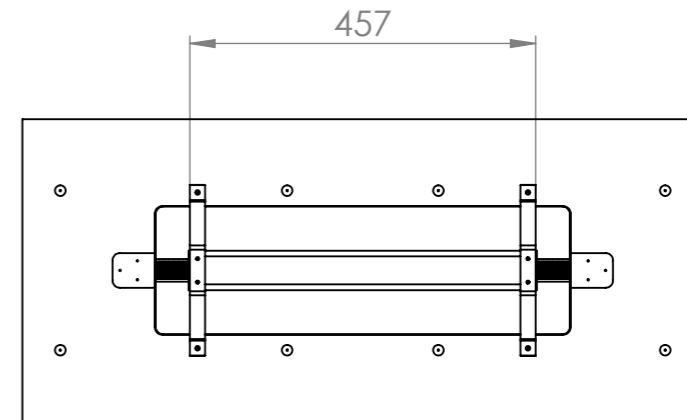
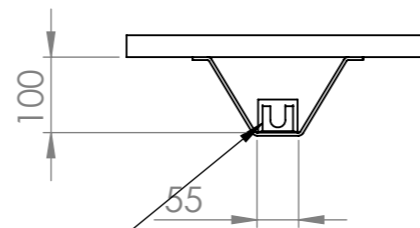


Attachment for power unit



This document must not be copied without our written permission, and the contents thereof must not be imparted to a third party nor be used for any unauthorized purpose. Contrainvention will be prosecuted.

Note that this is only an illustrative drawing intended for communication between Lammhults Möbel AB and customers. Scale may not be unitary & some dimensions can be modified to the final product.

Drawn by

So.To

**LAMMHULTS**

Power installation box

Integrated

Format

A3

Scale

1:10

Date

2017-04-26