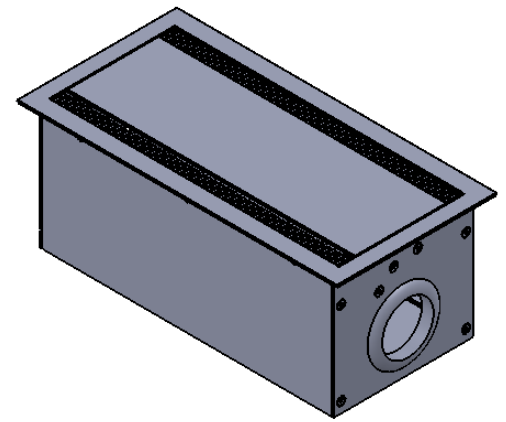



SECTION A-A  
SCALE 1 : 3

**Table cut out 286x135mm**



|   |            |                     |    |     |
|---|------------|---------------------|----|-----|
|  |            | <b>GÖTESSONS</b>    |    |     |
| Material  | Art.nr.    | Blad                | A4 |     |
|   | 721000     | 1/1                 |    |     |
| Skala   | Sign.      | Benämning           |    | Rev |
| 1:3   | Jonte      | Bi-Box 300 x 150 mm |    |     |
|   | Datum      |                     |    |     |
|   | 2016-03-08 |                     |    |     |