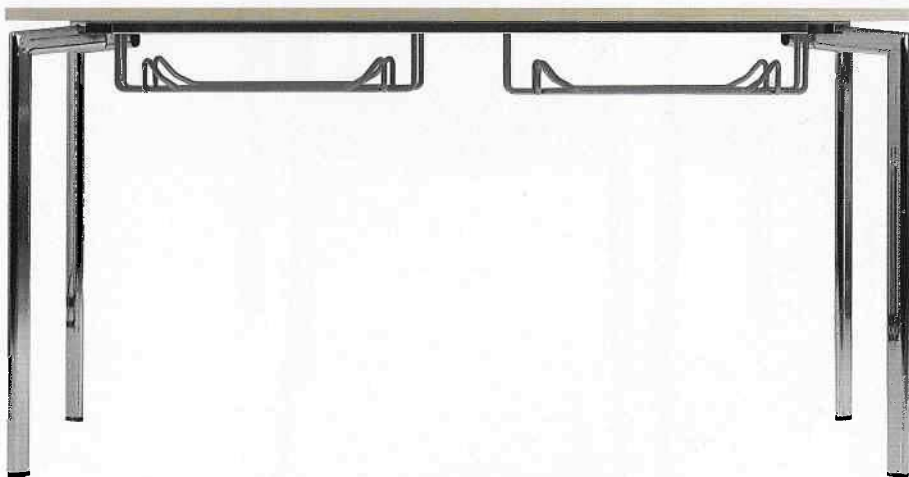


Bordet,
vår vanligaste arbetsplats.
Men även under bordet
sker viktigt arbete,
det vet Campus
som har sin givna plats
då det blir dags
att göra rent golvet
efter arbetsdagens slut.



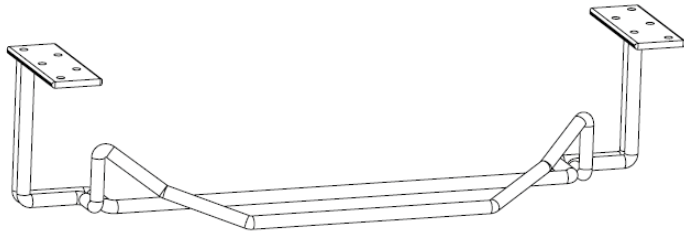
The table,
our most common worksurface.
But under the table
important work
also takes place
when the time comes
for cleaning the floor
after the end
of the working day.



Campus 56/ Spira 56

Upphångningsbeslag fr campus och spira.

Griper om benen, en stadig konstruktion.



Campus 54

Upphångningsbeslag fr campus nr "campus 56" r fr bred.

Något ostabilare konstruktion.

Fungerar ven hyffsat till Grade stol.

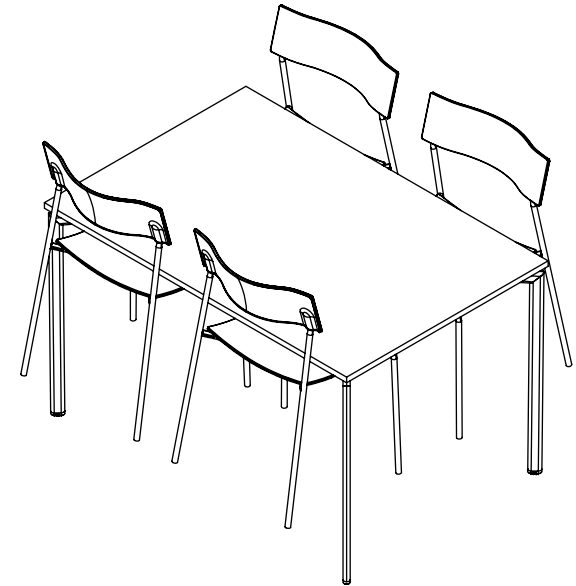
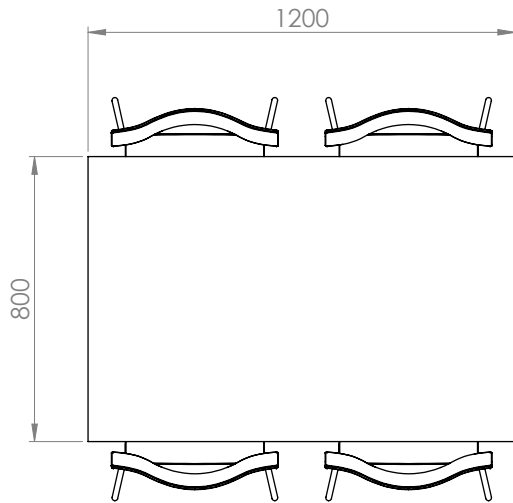
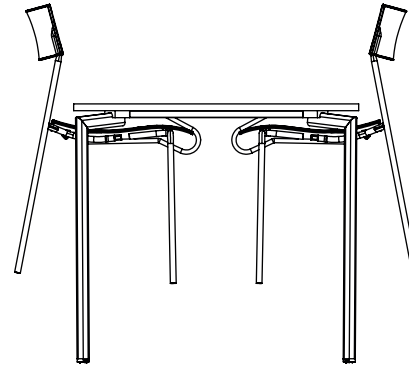
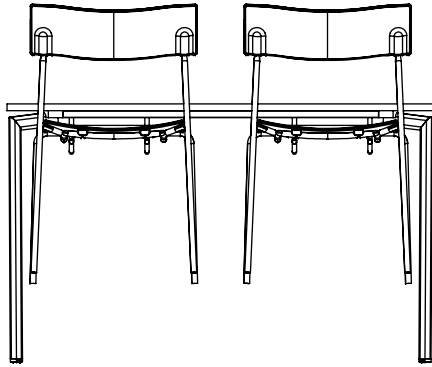


Campus 58

Stolsupphångningsbeslag fr campus p medstativ.

Fungerar srskilt bra till Quickly d detta beslag mjliggr att man kan flla ihop och stapla bordet utan att lossa p stolsupphångningen.





This document must not be copied, without, or within per-
 mission, and the contents thereof must not be made public to
 a third party nor be used for any unauthorized purpose.
 Controvention will be prosecuted.

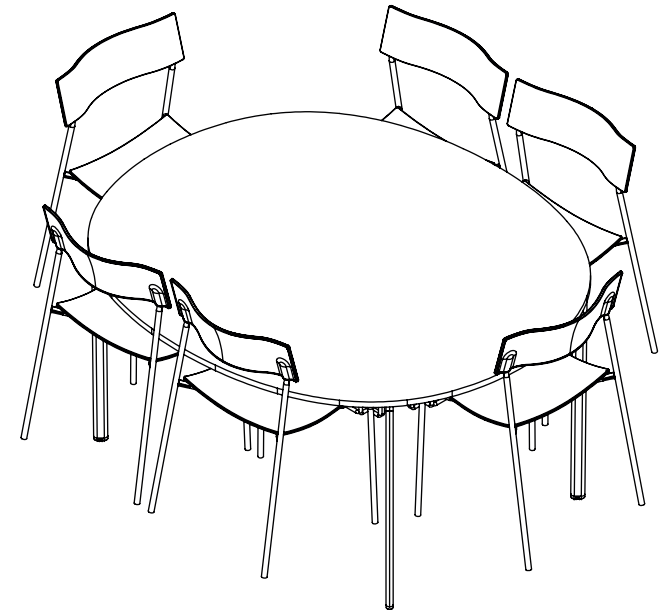
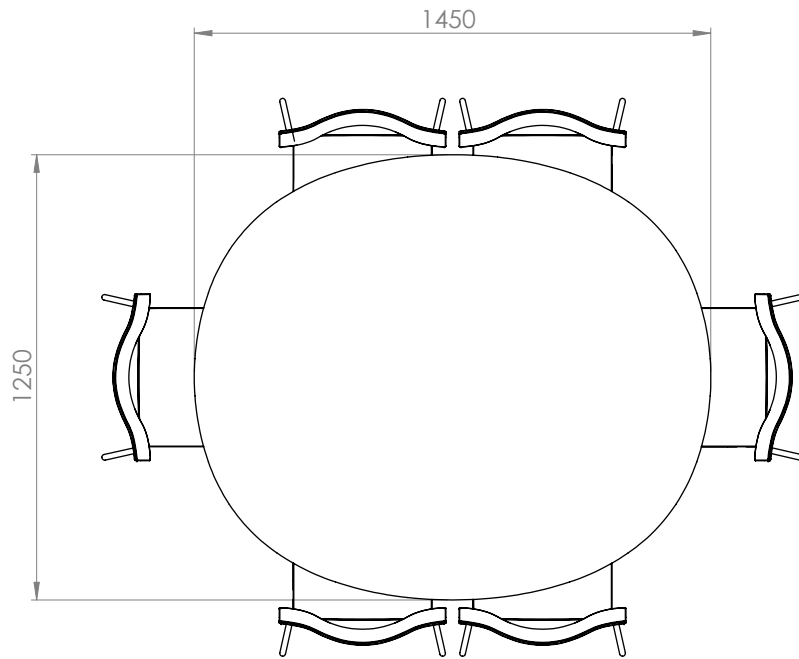
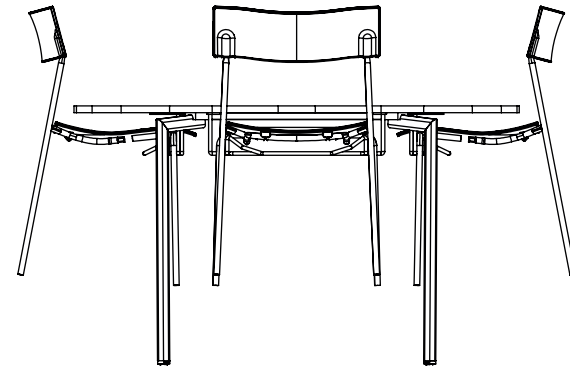
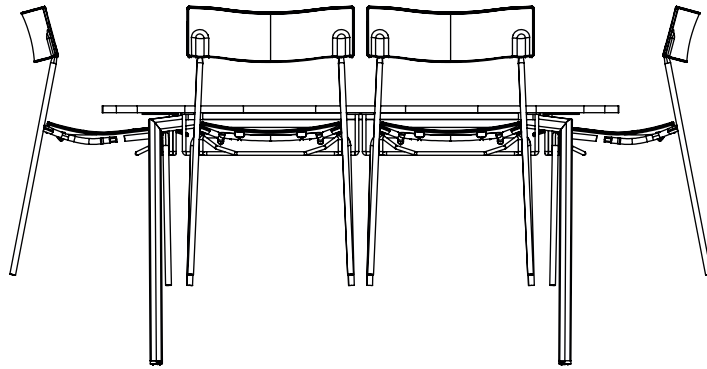
Note that this is only an illustrative drawing intended for communication between Lammhults
 Möbel AB and customers.
 Scale may not be unitary & some dimensions can be modified to the final product.

Drawn by
Ni.He.

LAMMHULTS

Campus
Tabler
 1200x800 With Hanging Device

Format	A3	Scale	1:15
Date			



This document must not be copied, without, or written per-
 mission, and the contents thereof must not be made available to
 a third party nor be used for any unauthorized purpose.
 Controvention will be prosecuted.

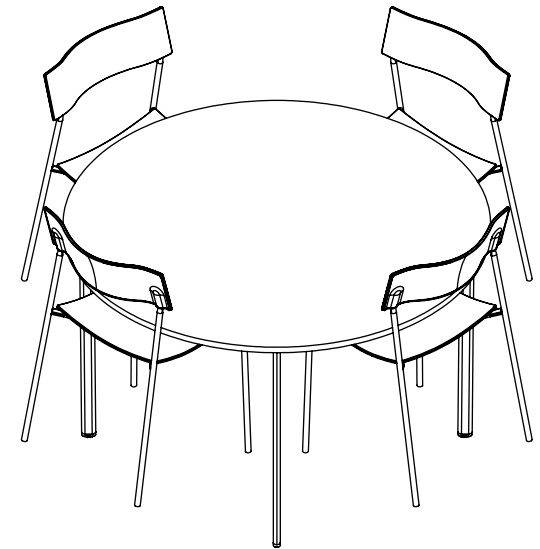
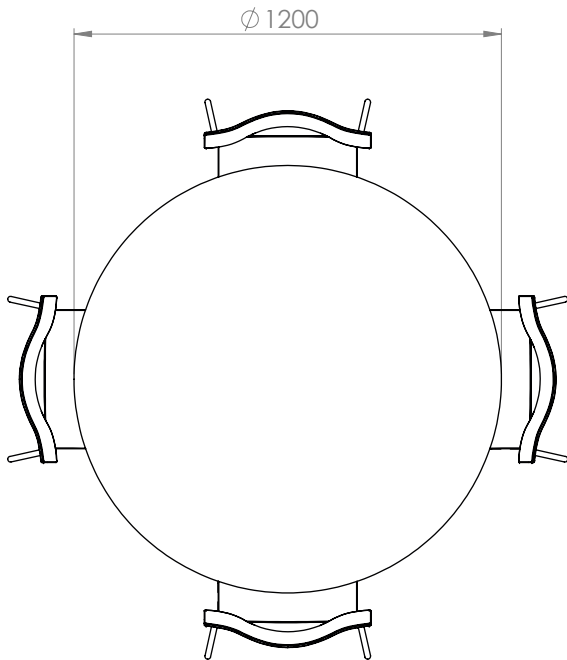
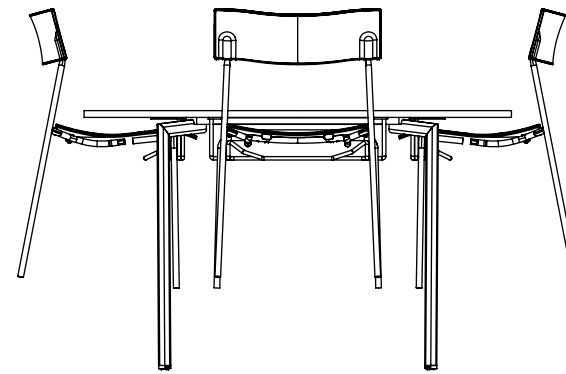
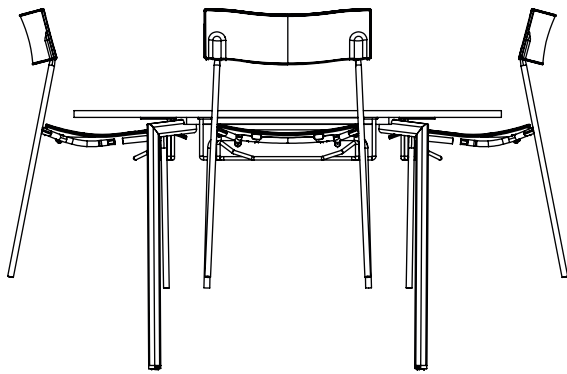
Note that this is only an illustrative drawing intended for communication between Lammhults Möbel AB and customers.
 Scale may not be unitary & some dimensions can be modified to the final product.

Drawn by
Ni.He.

LAMMHULTS

Campus
 Table
 1450x1250 With Hanging Device

Format	Scale
A3	1:15
Date	



This document must not be copied, without, or within per-
mission, and the contents thereof must not be made available to
a third party nor be used for any unauthorized purpose.
Contravention will be prosecuted.

Note that this is only an illustrative drawing intended for communication between Lammhults
Möbel AB and customers.
Scale may not be unitary & some dimensions can be modified to the final product.

Drawn by
Ni.He.

LAMMHULTS

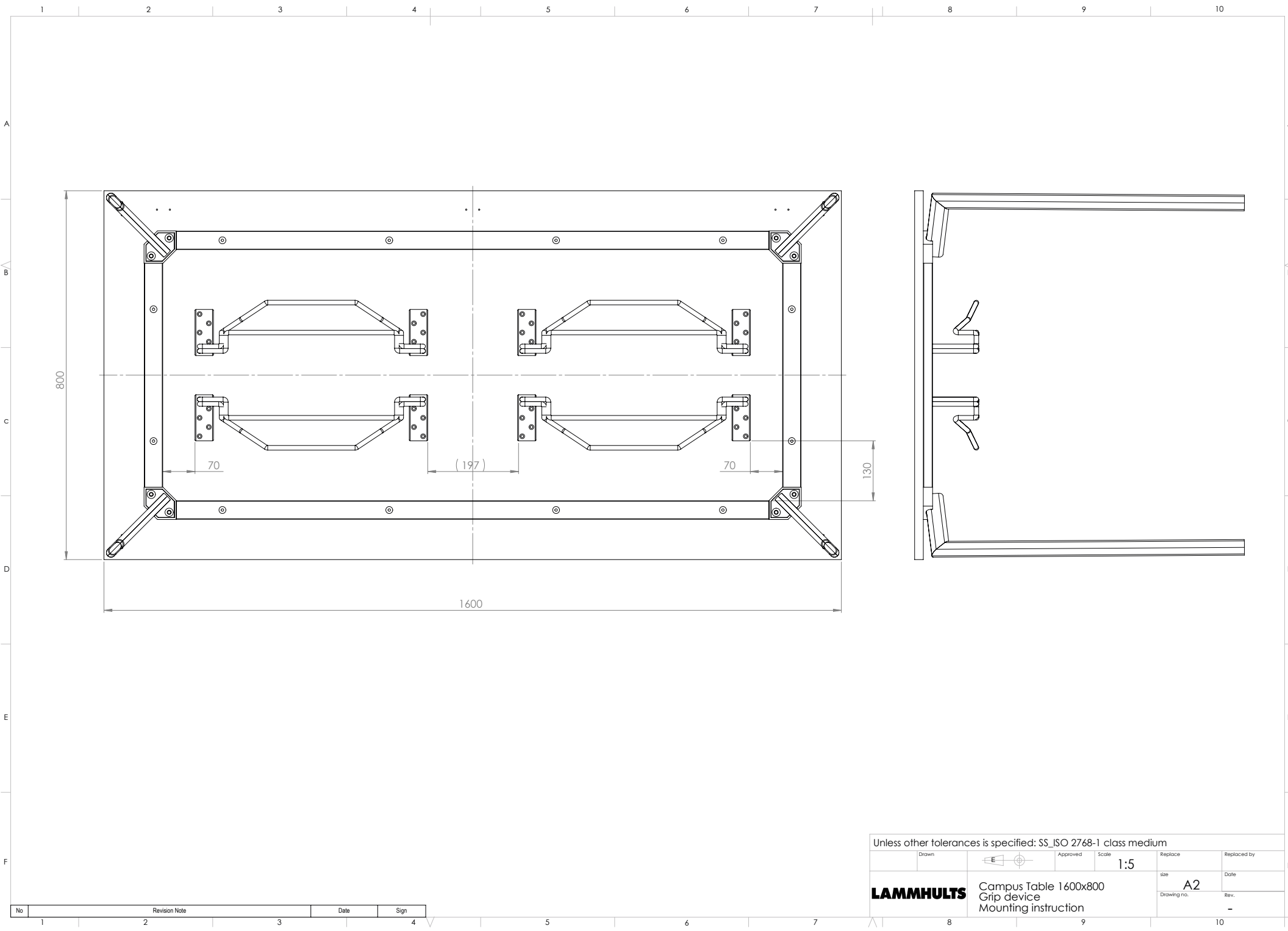
Campus
Table
Ø1200 With Hanging Device

Format
A3

Scale
1:15

Date

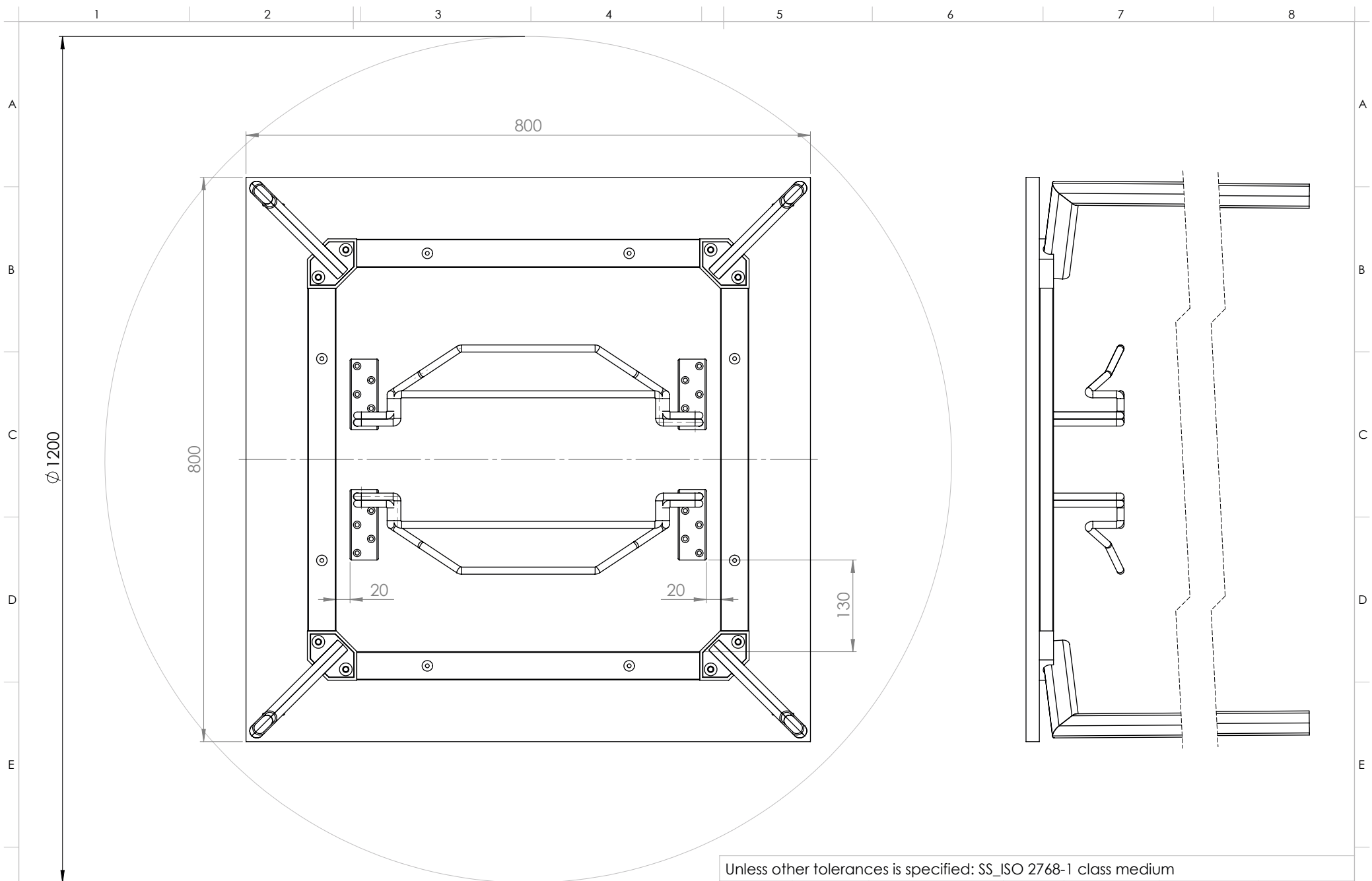
This document must not be copied without our written permission, and the contents thereof must not be imparted to a third party without our prior written permission. Copying for non-commercial purposes only.



No	Revision Note	Date	Sign
1			
2			
3			
4			

Unless other tolerances is specified: SS_ISO 2768-1 class medium					
Drawn		Approved	Scale	Replace	Replaced by
			1:5		
LAMMHULTS			Campus Table 1600x800	size	Date
			Grip device	A2	
			Mounting instruction	Drawing no.	Rev.
					-

This document must not be copied without our written permission, and the contents thereof must not be imparted to a third party nor be used for any unauthorized purpose. Controversy will be prosecuted.



Unless other tolerances is specified: SS_ISO 2768-1 class medium					
Drawn		Approved	Scale 1:5	Replace	Replaced by
LAMMHULTS				size A3	Date
Campus Table 800x800 & Ø 1200 Grip device Mounting instruction				Drawing no.	Rev. -

No	Revision Note	Date	Sign
1			
2			
3			
4			