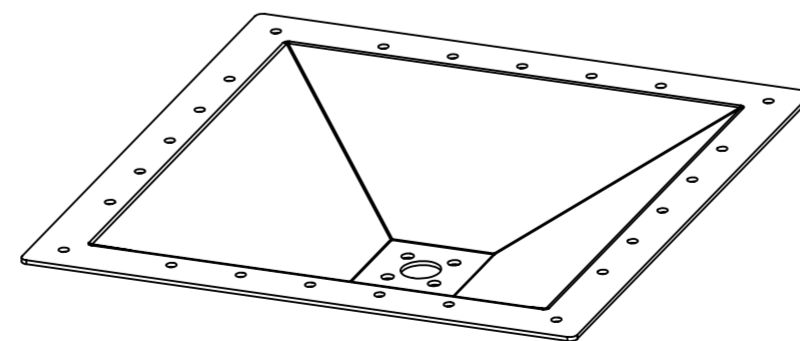


B (1 : 1)



Sharp edges grinded.

1	1	Sheet metal	Steel	S355JR (SS-2172-00)	3 mm.	
Det.nr	Pcs.	Initial Material	Material	Quality of mat.	Dim.	Note
Unless other tolerances is specified: SS_ISO 2768-1 class medium						
Drawn J.S.		Approved		Scale 1:2	Replace	Replaced by
LAMMHULTS		Funk_Alu Top Support 400x400 Pressed plate 400x400		size A2	Date 2014-09-24	
				Drawing no. 07201	Rev. -	

No	Revision Note	Date	Sign
1			
2			
3			
4			

This document must not be copied without our written permission, and the contents thereof must not be imparted to a third party nor be used for any unauthorized purpose. Contravention will be prosecuted.