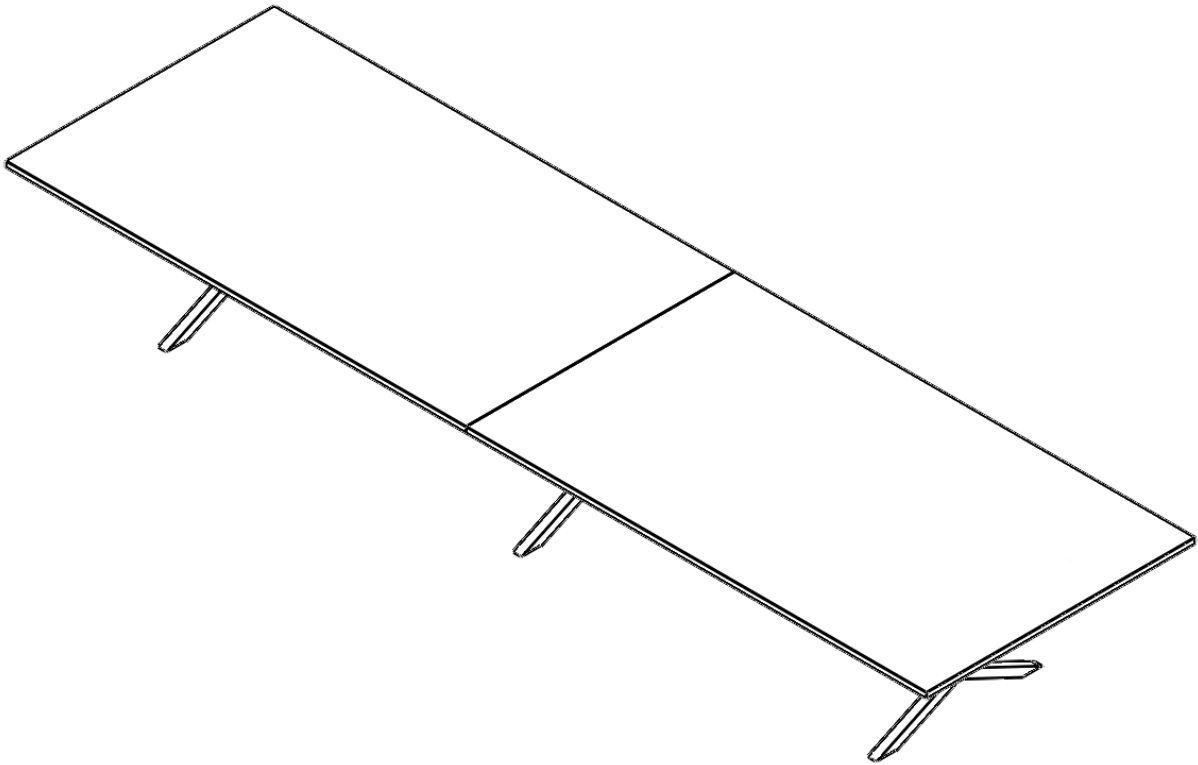
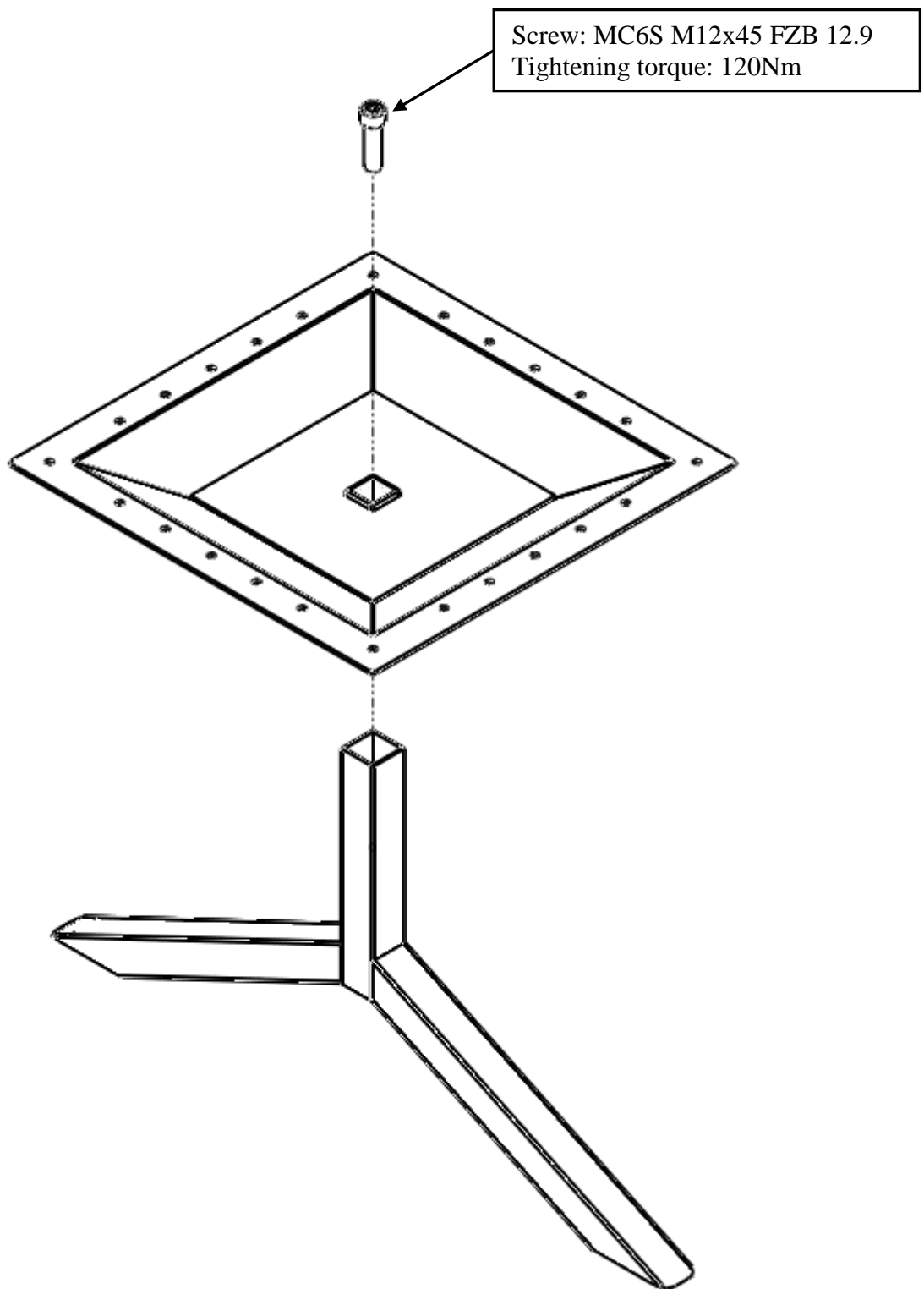


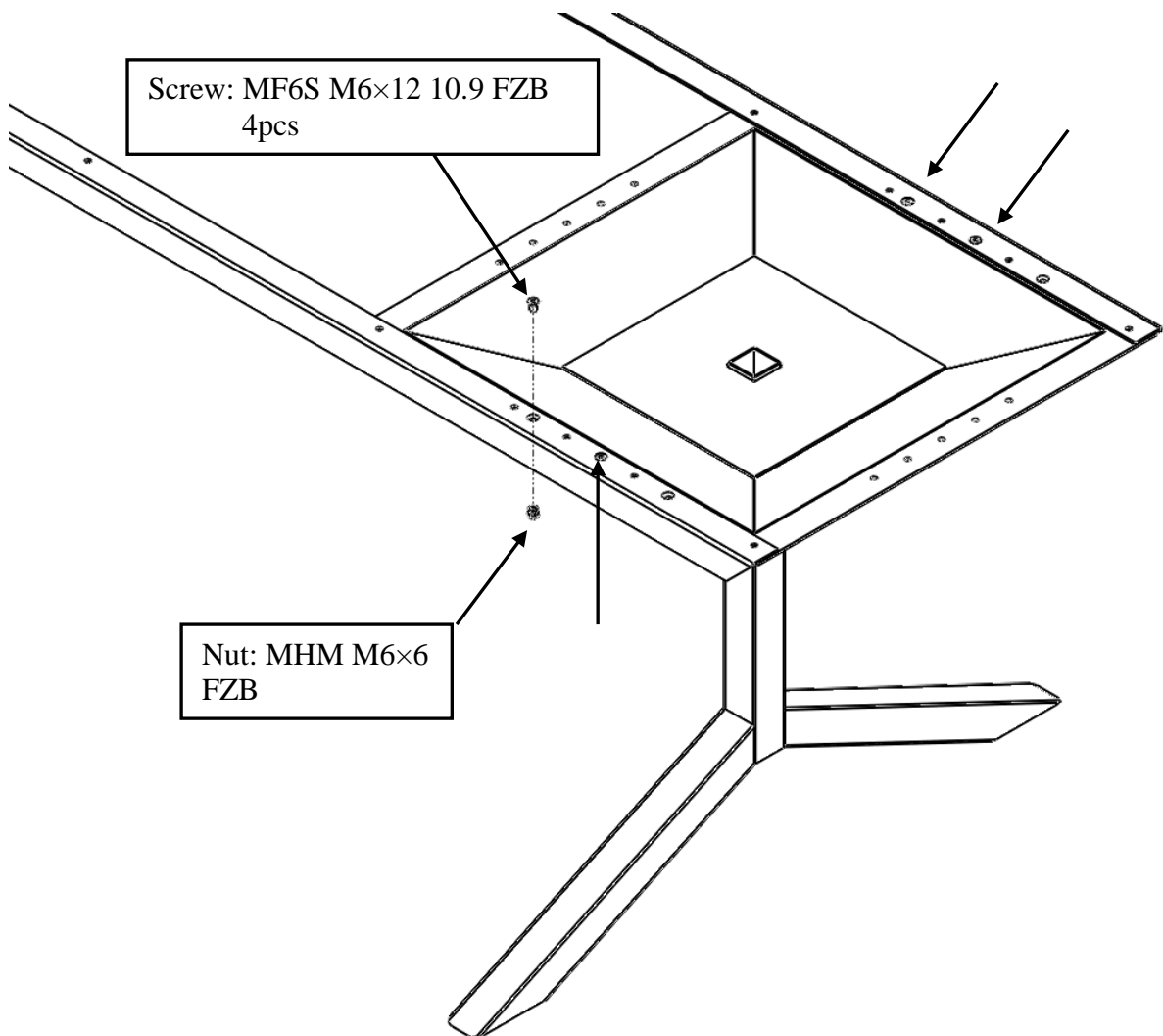
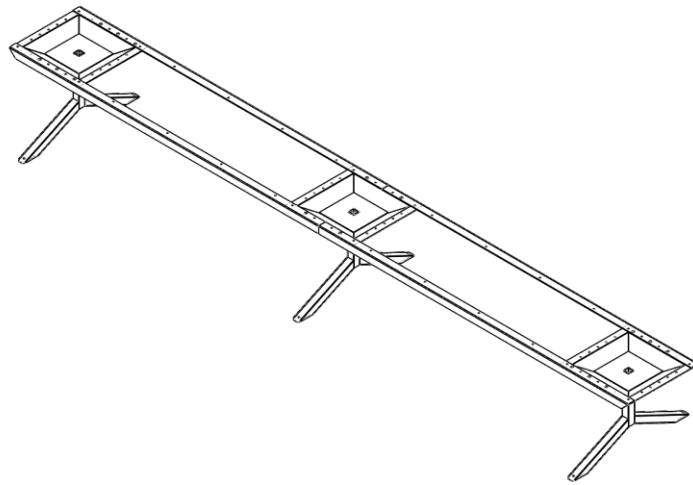
Table 200x100 & 240x120/140
Connected





Attention!

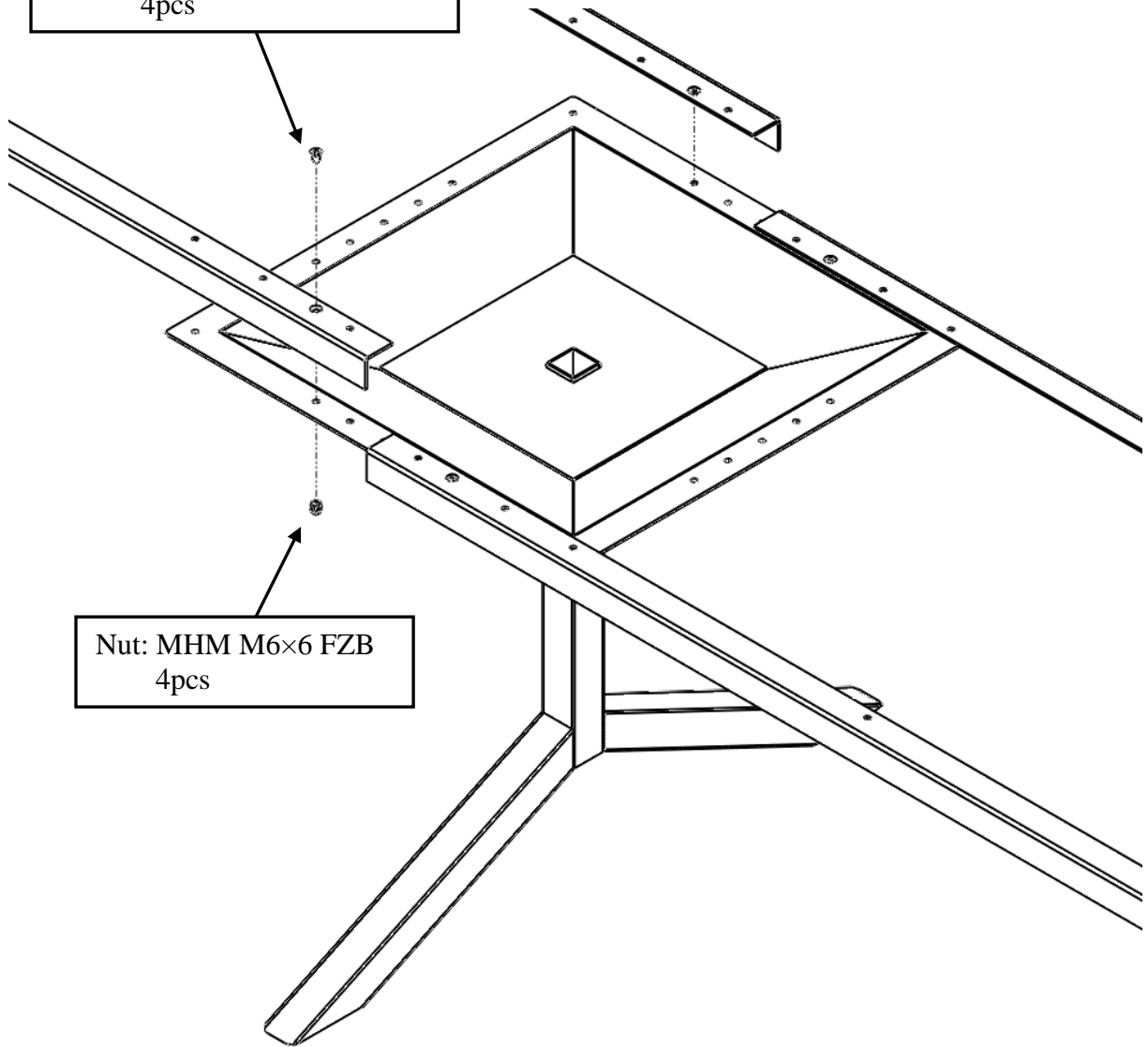
Tables with a width or a diameter equal or smaller than 100cm are always used together with the small base.



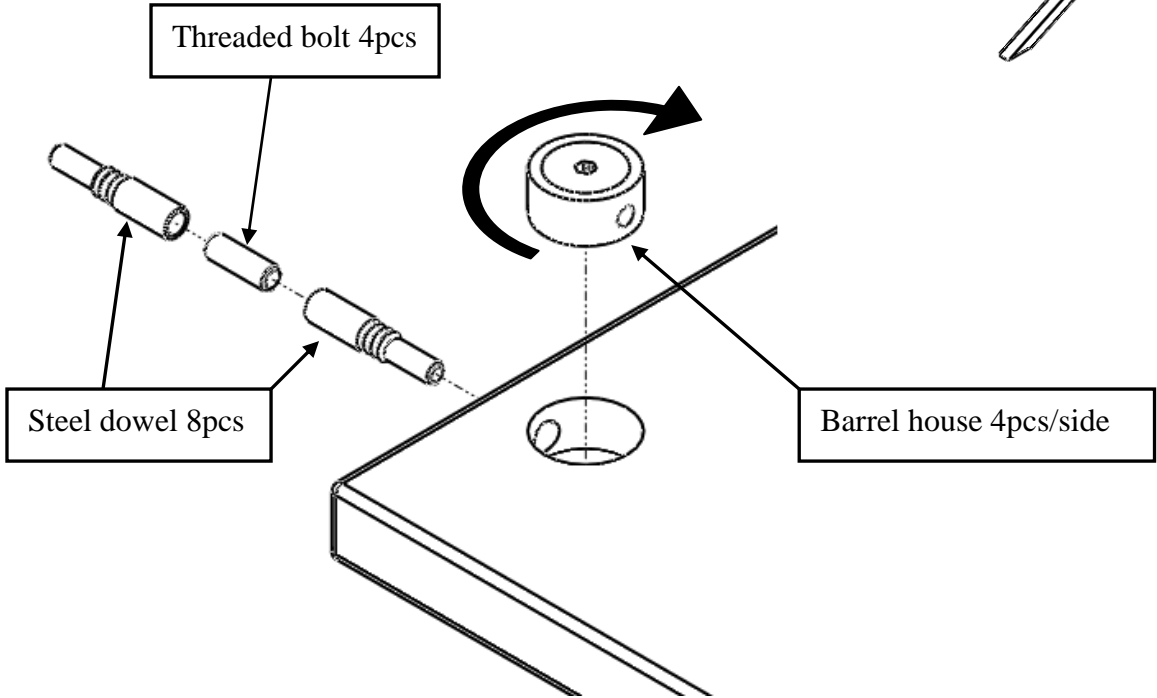
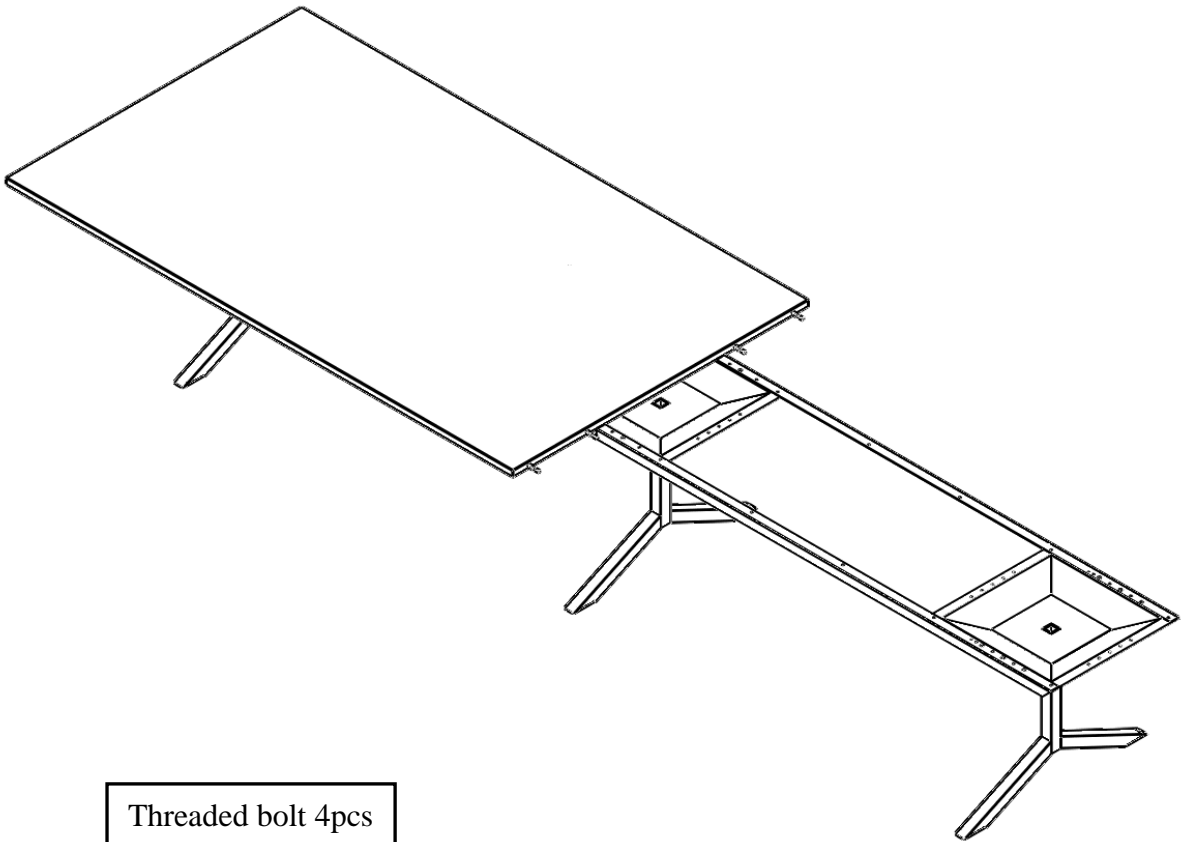
Screw: MF6S M6×12 10.9 FZB
4pcs

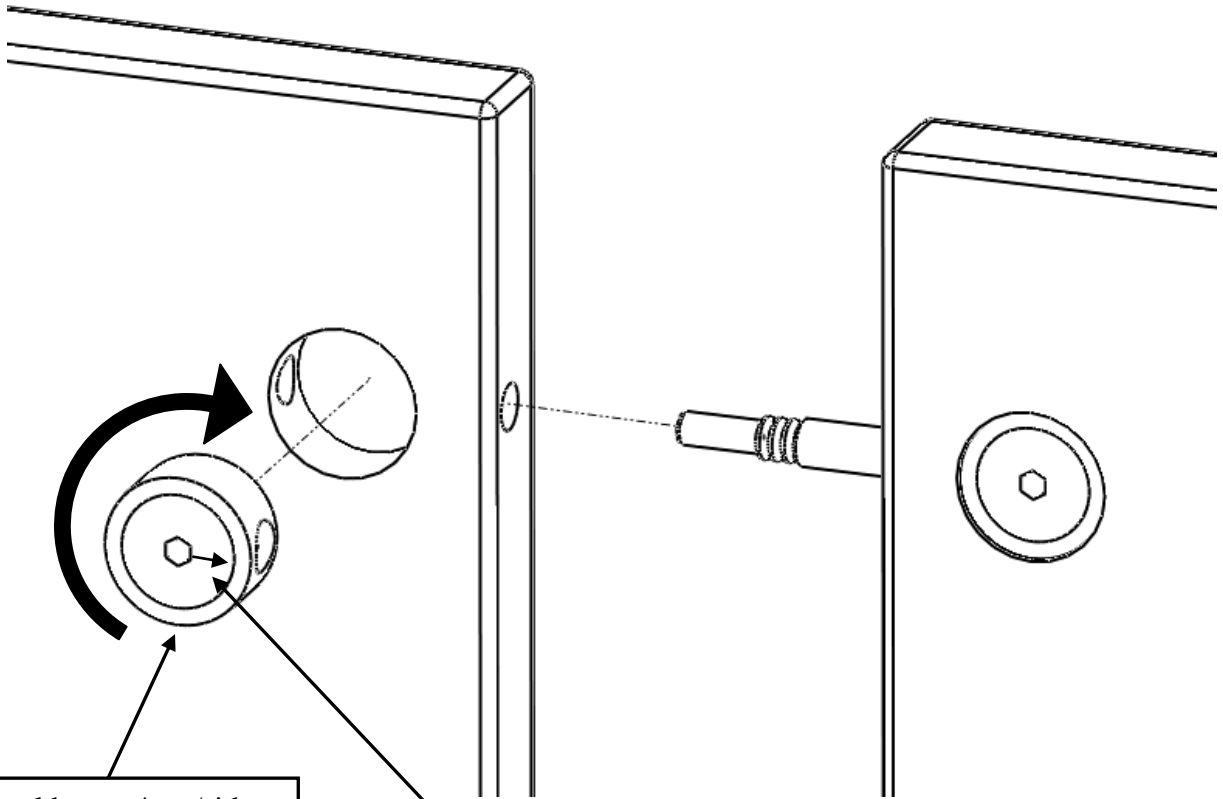
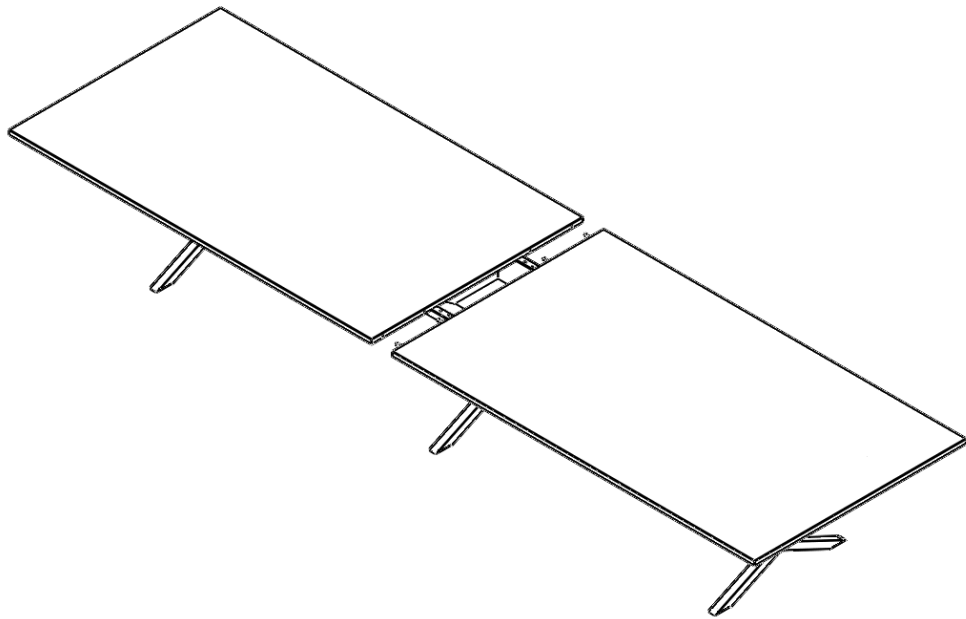
Nut: MHM M6×6
FZB

Screw: MF6S M6×12 10.9 FZB
4pcs



Nut: MHM M6×6 FZB
4pcs

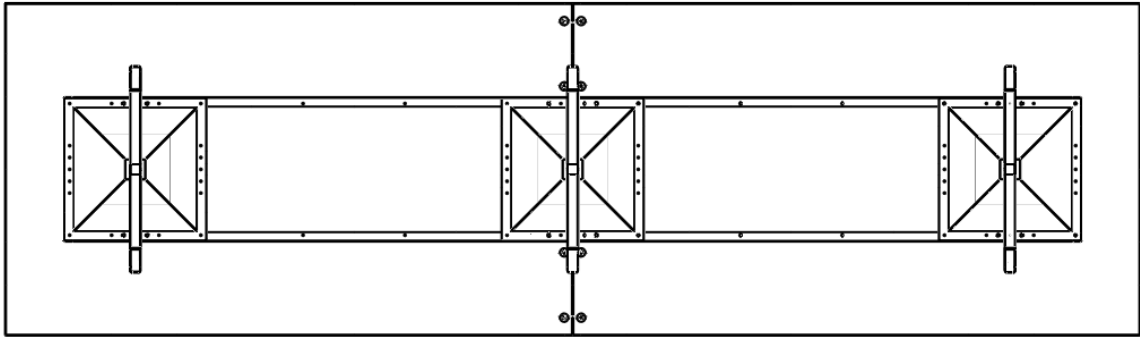




Barrel house 4pcs/side

Position for mounting

Centre the table-top on the tripod. Use the hole pattern in the table-top for guidance.



Screw: TKX SPAX 5×25 8 pcs/base
And 4 pcs in-between

