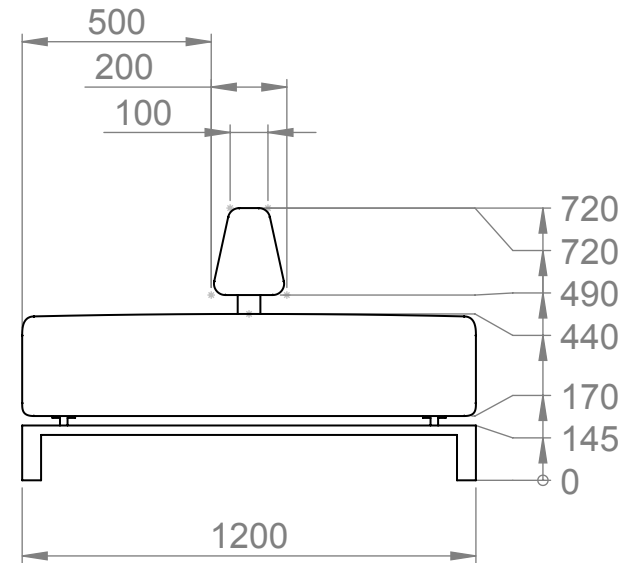
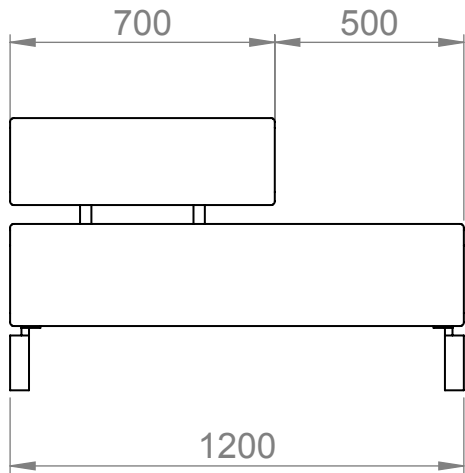
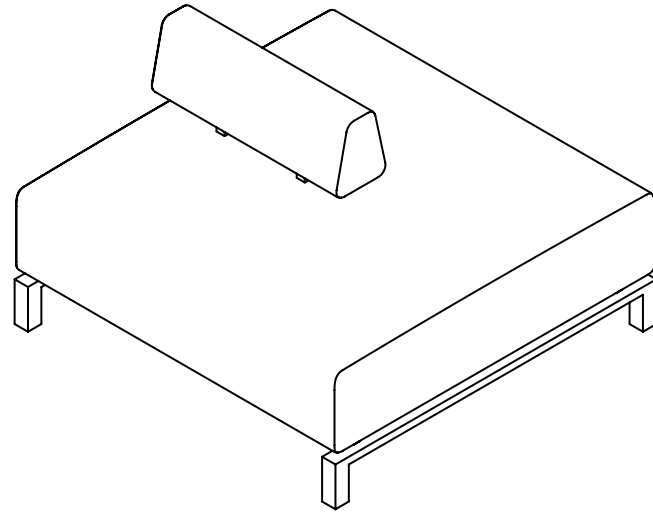
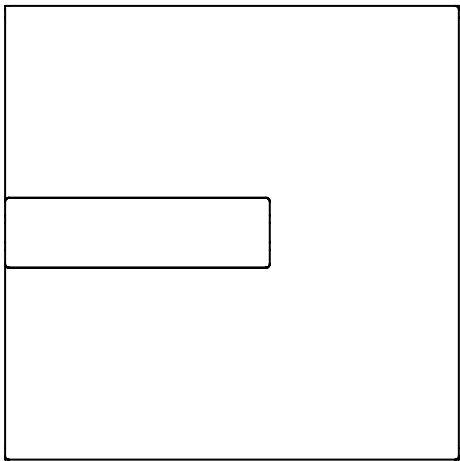


| REVISION | DATE | DESCRIPTION | REVISION | DATE | DESCRIPTION |
|----------|------|-------------|----------|------|-------------|
| | | | | | |
| | | | | | |
| | | | | | |
| | | | | | |

| | |
|---------|--------------------------------------|
| CLIENT | Bene |
| PROJECT | SP hm991 REF Paul Flowers (1) |

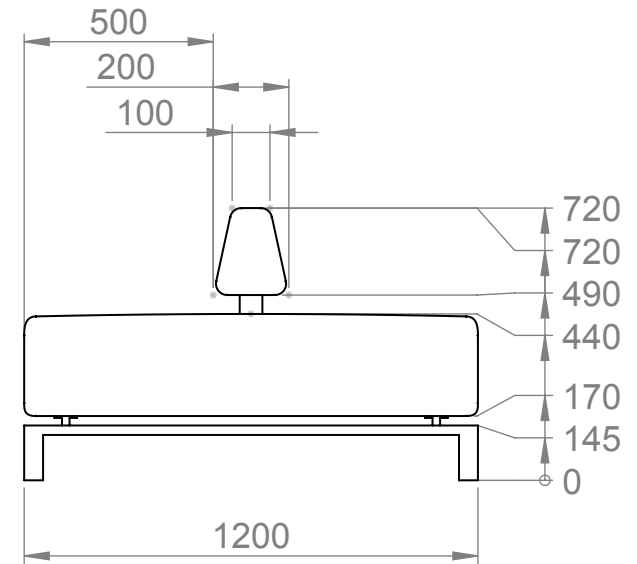
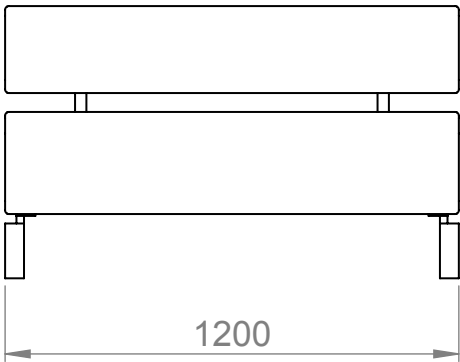
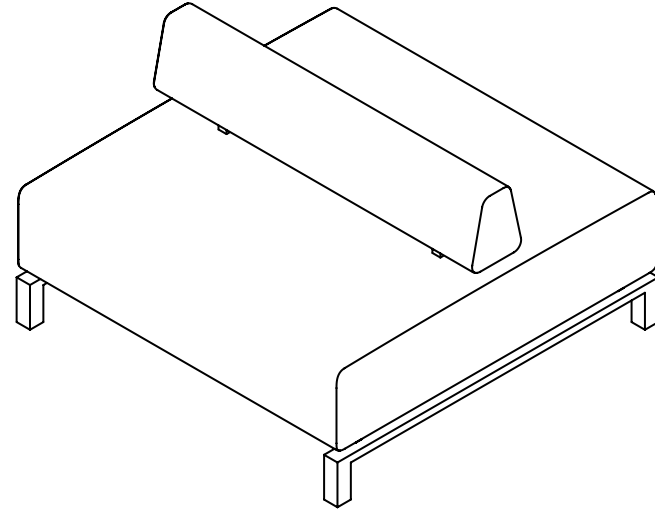
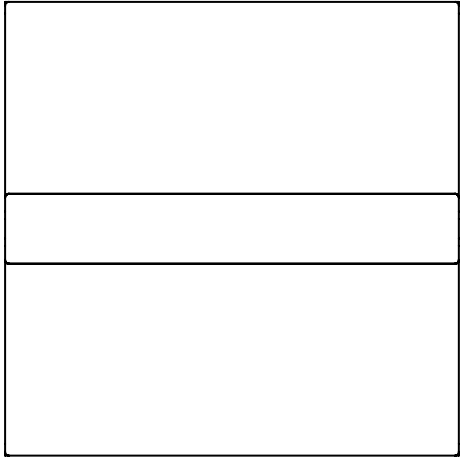
| | | | | | | | |
|----------|-----------------|-------------|----------------|----------|---------------|----------|--|
| DRAWN BY | SJ | DRAWING NO. | 991/005 | PAGE NO. | 1 of 3 | REVISION | |
| DATE | 08/11/18 | SCALE | 1:20 | SIZE | A4 | | |



| REVISION | DATE | DESCRIPTION | REVISION | DATE | DESCRIPTION |
|----------|------|-------------|----------|------|-------------|
| | | | | | |
| | | | | | |
| | | | | | |
| | | | | | |

| | |
|---------|--------------------------------------|
| CLIENT | Bene |
| PROJECT | SP hm991 REF Paul Flowers (2) |

| | | | | | | | |
|----------|-----------------|-------------|----------------|----------|---------------|----------|--|
| DRAWN BY | SJ | DRAWING NO. | 991/005 | PAGE NO. | 2 of 3 | REVISION | |
| DATE | 08/11/18 | SCALE | 1:20 | SIZE | A4 | | |



| REVISION | DATE | DESCRIPTION | REVISION | DATE | DESCRIPTION |
|----------|------|-------------|----------|------|-------------|
| | | | | | |
| | | | | | |
| | | | | | |

| | |
|---------|--------------------------------------|
| CLIENT | Bene |
| PROJECT | SP hm991 REF Paul Flowers (3) |

| | | | | | | | |
|----------|-----------------|-------------|----------------|----------|---------------|----------|--|
| DRAWN BY | SJ | DRAWING NO. | 991/005 | PAGE NO. | 3 of 3 | REVISION | |
| DATE | 08/11/18 | SCALE | 1:20 | SIZE | A4 | | |